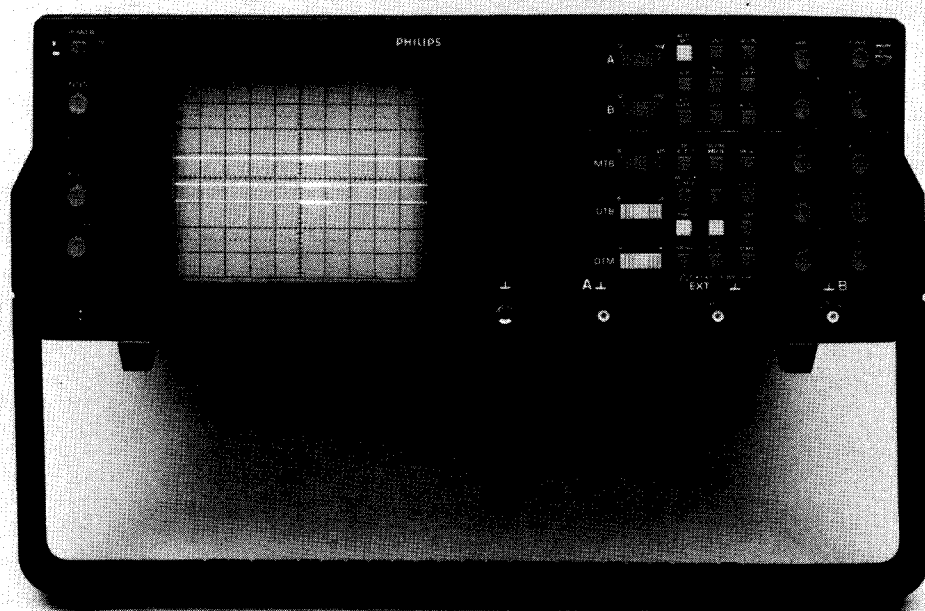


# 60 MHz Dual Time Base Oscilloscope PM3055

## Service Manual

4822 872 05327  
880411/2

---



MAT2220

---

**WARNING:** These servicing instructions are for use by qualified personnel only. To reduce the risk of electric shock do not perform any servicing other than that specified in the Operating Instructions unless you are fully qualified to do so.



# PHILIPS

**IMPORTANT:** In correspondence concerning this instrument, please quote the type number and serial number as given on the type plate.

**NOTE:** The design of this instrument is subject to continuous development and improvement. Consequently, this instrument may incorporate minor changes in detail from the information contained in this manual.

CONTENTS		Page
1.	SAFETY INSTRUCTIONS	1-1
1.1	Introduction .....	1-1
1.2	Safety precautions .....	1-1
1.3	Caution and warning statements .....	1-1
1.4	Symbols .....	1-1
1.5	Impaired safety-protection .....	1-2
1.6	General clauses .....	1-2
2.	CHARACTERISTICS	2-1
2.1	Display .....	2-3
2.2	Vertical deflections or Y axis .....	2-3
2.2.1	Channels A and B .....	2-3
2.2.2	Triggerview .....	2-5
2.3	Horizontal deflection or X axis .....	2-6
2.3.1	Main Time Base (MTB) .....	2-6
2.3.2	Delay Time Base (DTB) .....	2-6
2.3.3	X-deflection .....	2-7
2.3.4	EXT input .....	2-7
2.4	Triggering .....	2-8
2.4.1	MTB triggering .....	2-8
2.4.2	DTB triggering .....	2-9
2.5	Power supply .....	2-9
2.6	Auxiliary input or outputs .....	2-10
2.7	Environmental characteristics .....	2-10
2.8	Safety .....	2-12
3.	INTRODUCTION TO CIRCUIT- AND BLOCK DIAGRAM DESCRIPTION	3-1
3.1	Introduction to circuit description .....	3-1
3.2	Block diagram description .....	3-10
3.2.1	Introduction .....	3-10
3.2.2	Control unit .....	3-10
3.2.3	Attenuator unit .....	3-10
3.2.4	Pre-amplifier unit .....	3-10
3.2.5	Time-base unit .....	3-12
3.2.6	XYZ unit .....	3-12
3.2.7	Power supply unit .....	3-13

4.	ATTENUATOR UNIT (A1)	4-1
4.1	Vertical attenuators .....	4-1
4.2	External input .....	4-2
5.	PRE-AMPLIFIER UNIT (A2)	5-1
5.1	Vertical pre-amplifier .....	5-1
5.2	MTB trigger pre-amplifier .....	5-2
5.3	DTB trigger pre-amplifier .....	5-3
5.4	Pre-amplifier control .....	5-4
6.	XYZ-AMPLIFIER UNIT (A3)	6-1
6.1	Introduction .....	6-1
6.2	Final vertical (Y) amplifier .....	6-1
6.3	Final horizontal (X) amplifier .....	6-1
6.4	Final blanking (Z) amplifier and CRT .....	6-2
7.	TIME-BASE UNIT (A4)	7-1
7.1	Trigger amplifier .....	7-1
7.2	Timing circuit .....	7-2
7.3	Sweep generators .....	7-4
7.4	X DEFL amplifier, and display mode switch .....	7-6
7.5	Z-amplifier .....	7-6
7.6	Timing diagrams .....	7-8
8.	CRT CONTROL UNIT (A5)	8-1
9.	POWER SUPPLY UNIT (A6)	9-1
9.1	Input circuit .....	9-1
9.2	Converter circuit .....	9-1
9.3	Secondary output rectifiers .....	9-3
9.4	HT supply .....	9-3
9.5	Calibrator .....	9-3

10.	FRONT UNIT (A7-A8)	10-1
10.1	Microcomputer control circuit .....	10-1
10.1.1	Introduction to MAB8052 microcomputer .....	10-1
10.1.2	Characteristics of the I <sup>2</sup> C bus .....	10-1
10.1.3	I <sup>2</sup> C structure .....	10-2
10.1.4	Microcomputer MAB8052 .....	10-3
10.1.5	I <sup>2</sup> C decoding .....	10-4
10.1.6	Status input .....	10-5
10.1.7	Probe indicator .....	10-5
10.1.8	C-Bus decoder .....	10-5
10.2	LCD display circuit .....	10-5
10.3	Front-panel controls .....	10-6
11.	PERFORMANCE CHECK	11-1
11.1	General information .....	11-1
11.2	Preliminary settings .....	11-2
11.3	Recommended test equipment .....	11-2
11.4	Checking procedure .....	11-3
11.4.1	Power supply .....	11-3
11.4.2	Display .....	11-3
11.4.3	Vertical deflection or Y-axis .....	11-4
11.4.4	Trigger view .....	11-10
11.4.5	Horizontal deflection or X-axis .....	11-13
11.4.6	MTB triggering .....	11-18
11.4.7	DTB triggering .....	11-20
11.4.8	Auxiliary inputs and outputs .....	11-22
12.	DISMANTLING THE INSTRUMENT	12-1
12.1	General information .....	12-1
12.2	Removing the top and bottom covers .....	12-1
12.3	Access to parts for the checking and adjusting procedures .....	12-1
13.	CHECKING AND ADJUSTING	13-1
13.1	General information .....	13-1
13.2	Recommended test and calibration equipment .....	13-6
13.3	Survey of adjusting elements .....	13-7

13.4	Checking and adjusting procedure .....	13-9
13.4.1	Preparation .....	13-9
13.4.2	Power supply adjustment .....	13-9
13.4.3	CRT display adjustment .....	13-9
13.4.4	Square-wave response attenuator .....	13-10
13.4.5	Adjustment of vertical sensitivities .....	13-10
13.4.6	Adjustment of horizontal sensitivity .....	13-11
13.4.7	Offset adjustments .....	13-11
13.4.8	Adjustment of trigger sensitivity .....	13-12
13.4.9	Adjustment of the MTB sweep times .....	13-12
13.4.10	Adjustment of the DTB sweep times .....	13-12
13.4.11	Adjustment of x10 sweep times .....	13-13
13.4.12	Adjustment of delay time multiplier .....	13-13
13.4.13	Square-wave response of final Y-amplifier .....	13-13
13.4.14	Checking the AUTO SET function .....	13-14
14.	CORRECTIVE MAINTENANCE .....	14-1
14.1	Replacements .....	14-1
14.1.1	Standard parts .....	14-1
14.1.2	Special parts .....	14-1
14.1.3	Transistors and Integrated Circuits .....	14-1
14.1.4	Static-sensitive components .....	14-2
14.1.5	Handling MOS devices .....	14-2
14.2	Removing the units and mechanical parts .....	14-3
14.2.1	Attenuator unit (A1) .....	14-3
14.2.2	Pre-amplifier unit (A2) .....	14-4
14.2.3	XYZ-amplifier unit (A3) .....	14-4
14.2.4	Time-base unit (A4) .....	14-4
14.2.5	CRT control unit (A5) .....	14-4
14.2.6	Power supply unit (A6) .....	14-5
14.2.7	Front unit (A7) and LCD unit (A8) .....	14-6
14.2.8	Removing the delay line cable .....	14-7
14.2.9	Replacement fo CRT .....	14-7
14.3	Soldering techniques .....	14-8
14.4	Instrument repacking .....	14-8
14.5	Trouble shooting .....	14-9
14.5.1	Introduction .....	14-9
14.5.2	Trouble-shooting techniques .....	14-9
14.5.3	Power-up routine .....	14-10
14.5.4	Trouble-shooting the power supply .....	14-11
14.5.5	P.c.b. interconnections .....	14-11
14.5.6	Signal waveforms .....	14-16
14.5.7	Semi conductor pinnings .....	14-16
14.6	Special tools .....	14-16
14.6.1	Trimming kit SBC 317 .....	14-16
14.6.2	P.c.b. snapper .....	14-17
14.7	Recalibration after repair .....	14-17

15.	SAFETY INSPECTION AND TEST AFTER REPAIR AND MAINTENANCE IN THE PRIMARY CIRCUIT	15-1
15.1	General directives .....	15-1
15.2	Safety components .....	15-1
15.3	Checking the protective earth connection .....	15-1
15.4	Checking the insulation resistance .....	15-1
15.5	Checking the leakage current .....	15-1
15.6	Voltage test .....	15-2
16.	PARTS LIST	16-1
16.1	Mechanical parts .....	16-1
16.2	Units .....	16-6
16.3	Cables and connectors .....	16-7
16.3.1	Flatcables and connectors .....	16-7
16.3.2	Pcb-connectors .....	16-7
16.3.3	Miscellaneous cables .....	16-7
16.4	Electrical parts .....	16-8
16.4.1	Capacitors .....	16-8
16.4.2	Resistors .....	16-11
16.4.3	Coils .....	16-16
16.4.4	Semi-conductors .....	16-16
16.4.5	Integrated circuits .....	16-18
16.4.6	Cathode ray tube .....	16-18
16.4.7	Miscellaneous .....	16-18
17.	OPTIONS	17-1
17.1	Y-OUT .....	17-1
17.1.1	Characteristics .....	17-1
17.1.2	Circuit description .....	17-1
17.1.3	Adjusting and checking procedure .....	17-2
17.1.4	Parts list .....	17-3
17.2	MTB gate, DTB gate and MTB sweep.....	17-6
17.2.1	MTB gate .....	17-6
17.2.2	DTB gate .....	17-6
17.2.3	MTB sweep .....	17-6
17.2.4	Parts list .....	17-6

LIST OF FIGURES	Page	
Figure 2.1	Dimensions	2-2
Figure 3.1	Block diagram	3-6
Figure 4.1	Table of attenuator settings	4-1
Figure 4.2	Attenuator unit p.c.b.	4-3
Figure 4.3	Circuit diagram of attenuator, ch. A	4-5
Figure 4.4	Circuit diagram of attenuator, ch. B	4-6
Figure 4.5	Attenuator unit p.c.b.	4-8
Figure 4.6	Circuit diagram of attenuator, EXT	4-10
Figure 5.1	The three stages of the vertical pre-amplifier	5-1
Figure 5.2	Pre-amplifier unit p.c.b.	5-5
Figure 5.3	Circuit diagram of pre-amplifier, channel switch + delay line driver	5-7
Figure 5.4	Circuit diagram of pre-amplifier, MTB trigger switch	5-8
Figure 5.5	Pre-amplifier unit p.c.b.	5-10
Figure 5.6	Circuit diagram of pre-amplifier, DTB trigger switch	5-12
Figure 5.7	Circuit diagram of pre-amplifier, logic control	5-14
Figure 6.1	XYZ amplifier unit p.c.b.	6-3
Figure 6.2	Circuit diagram of XYZ amplifier, final X and Y amplifiers	6-5
Figure 6.3	XYZ amplifier unit p.c.b.	6-6
Figure 6.4	Circuit diagram of XYZ amplifier, Z amplifier and CRT circuit	6-8
Figure 7.1	D4103 configuration	7-2
Figure 7.2	Simplified diagram of the MTB	7-4
Figure 7.3	Z-logic for the different TB modes	7-7
Figure 7.4	Free-running MTB sweep-timing diagram	7-8
Figure 7.5	Triggered MTB-sweep with a delay sweep-timing diagram	7-8
Figure 7.6	Triggered MTB- and DTB-sweep-timing diagram	7-9
Figure 7.7	Time base unit p.c.b.	7-11
Figure 7.8	Circuit diagram of time-base, trigger amplifier MTB and DTB	7-13
Figure 7.9	Circuit diagram of time base, MTB and DTB sweep circuits and final X DEFL amplifier	7-
Figure 7.10	Time base unit p.c.b.	7-
Figure 7.11	Circuit diagram of time-base, X pre-amplifier and Z switch	7-
Figure 8.1	Circuit diagram of CRT control	8-1
Figure 8.2	CRT control unit p.c.b.	8-1
Figure 9.1	Converter circuit	9-2
Figure 9.2	Timing diagram converter circuit	9-2
Figure 9.3	HT oscillator	9-3
Figure 9.4	Power supply unit p.c.b.	9-5
Figure 9.5	Circuit diagram of power supply	9-8



Figure 10.1	Bit transfer	10-1
Figure 10.2	Definition of start and stop conditions	10-2
Figure 10.3	I <sup>2</sup> C structure	10-2
Figure 10.4	Pinning of microcomputer MAB 8052	10-3
Figure 10.5	Front unit p.c.b.	10-6
Figure 10.6	Circuit diagram of front unit	10-8
Figure 10.7	LCD unit p.c.b.	10-9
Figure 10.8	Circuit diagram of LCD unit	10-10
Figure 12.1	Access to all parts for checking and adjusting	12-2
Figure 13.1	Adjusting elements	13-4
Figure 13.2	Square-wave response	13-14
Figure 14.1	Six clamping lips for XYZ-amplifier unit	14-4
Figure 14.2	Power supply unit outside the instrument	14-5
Figure 14.3	Measuring the front unit working condition	14-6
Figure 14.4	Removng the CRT	14-7
Figure 14.5	P.c.b. interconnections	14-13
Figure 14.6		14-16
Figure 14.7	Trimming tool kit	14-17
Figure 14.8	P.c.b. snapper	14-17
Figure 16.1	Exploded view	16-3
Figure 16.2	Rear view	16-5
Figure 16.3	Inside view showing the parts in the CRT compartment	16-5
Figure 16.4	View of the units	16-5
Figure 17.1	Y-OUT p.c.b.	17-4
Figure 17.2	Circuit diagram of Y-OUT option	17-5
Figure 17.3	Circuit diagram of MTB gate, DTB gate and MTB sweep options	17-7
Figure 17.4	P.c.b. for MTB gate, DTB gate and MTB sweep	17-7

## 1. SAFETY INSTRUCTIONS

Read these pages carefully before installation and use of the instrument.

### 1.1 INTRODUCTION

The following clauses contain information, cautions and warnings which must be followed to ensure safe operation and to retain the instrument in a safe condition.

Adjustment, maintenance and repair of the instrument shall be carried out only by qualified personnel.

### 1.2 SAFETY PRECAUTIONS

For the correct and safe use of this instrument it is essential that both operating and servicing personnel follow generally-accepted safety procedures in addition to the safety precautions specified in this manual.

Specific warning and caution statements, where they apply, will be found throughout the manual.

Where necessary, the warning and caution statements and/or symbols are marked on the apparatus.

### 1.3 CAUTION AND WARNING STATEMENTS

**CAUTION:** is used to indicate correct operating or maintenance procedures in order to prevent damage to or destruction of the equipment or other property.

**WARNING:** calls attention to a potential danger that requires correct procedures or practices in order to prevent personal injury.

### 1.4 SYMBOLS



High voltage  $\geq$  1000 V (red)



Live part (black/yellow)



Read the operating instructions



Protective earth (black)  
(grounding) terminal

1.5 IMPAIRED SAFETY-PROTECTION

Whenever it is likely that safety-protection has been impaired, the instrument must be made inoperative and be secured against any unintended operation. The matter should then be referred to qualified technicians.

Safety protection is likely to be impaired if, for example, the instrument fails to perform the intended measurements or shows visible damage.

1.6 GENERAL CLAUSES

- 1.6.1 **WARNING:** The opening of covers or removal of parts, except those to which access can be gained by hand, is likely to expose live parts and accessible terminals which can be dangerous to live.
- 1.6.2 The instrument shall be disconnected from all voltage sources before it is opened.
- 1.6.3 Bear in mind that capacitors inside the instrument can hold their charge even if the instrument has been separated from all voltage sources.
- 1.6.4 **WARNING:** Any interruption of the protective earth conductor inside or outside the instrument, or disconnection of the protective earth terminal, is likely to make the instrument dangerous. Intentional interruption is prohibited.
- 1.6.5 Components which are important for the safety of the instrument may only be renewed by components obtained through your local Philips organisation. (See also section 15).
- 1.6.6 After repair and maintenance in the primary circuit, safety inspection and tests, as mentioned in section 15 have to be performed.

## 2. CHARACTERISTICS

### A. Performance Characteristics

- Properties expressed in numerical values with stated tolerance are guaranteed by PHILIPS Specified non-tolerance numerical values indicate those that could be nominally expected from the mean of a range of identical instruments.
- This specification is valid after the instrument has warmed up for 30 minutes (reference temperature 23°C).
- For definitions of terms, reference is made to IEC Publication 351-1.

### B. Safety Characteristics

- This apparatus has been designed and tested in accordance with Safety Class I requirements of IEC Publication 348, Safety requirements for Electronic Measuring Apparatus, UL 1244 and CSA 556B and has been supplied in a safe condition.

### C. Initial Characteristics

#### . Overall dimensions:

##### - Width

Including handle	: 387	mm
Excluding handle	: 350	mm

##### - Length

Including handle, excl. knobs	: 518,5	mm
Excluding handle, excl. knobs	: 443,5	mm
Including handle, incl. knobs	: 530,5	mm
Excluding handle, incl. knobs	: 455,5	mm

##### - Height

Including feet	: 146,5	mm
Excluding feet	: 134,5	mm
Excl. under cabinet	: 132,5	mm

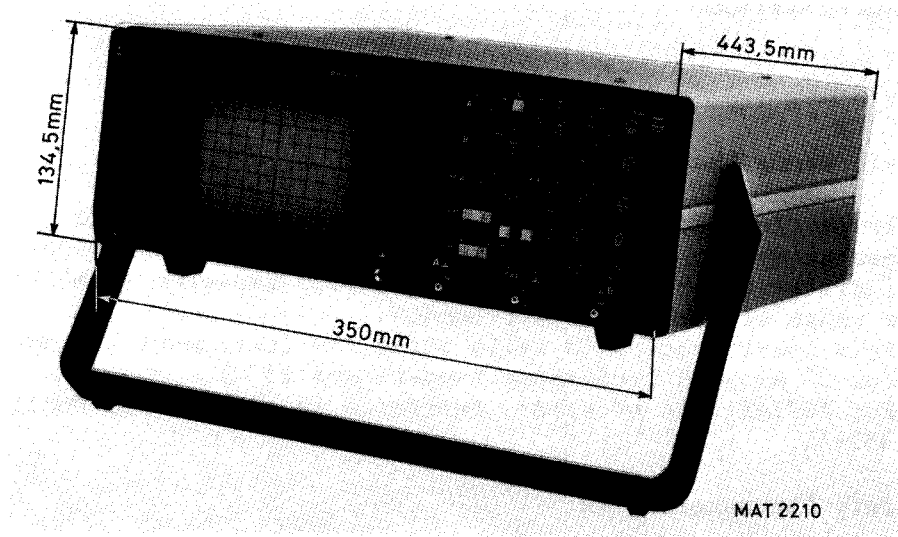


Figure 2.1 Dimensions

\* Mass : 7,5 kg

\* Operating positions:

- a. Horizontally on bottom feet
- b. Vertically on rear feet
- c. On the carrying handle in two sloping positions.

D. CONTENTS

- 2.1. Display
- 2.2. Vertical deflection or Y axis
- 2.3. Horizontal deflection or X axis
- 2.4. Triggering
- 2.5. Power Supply
- 2.6. Auxiliary inputs or outputs
- 2.7. Environmental characteristics
- 2.8. Safety

	CHARACTERISTICS	SPECIFICATION	ADDITIONAL INFORMATION
2.1	DISPLAY		
	* CRT		
	Type No	PHILIPS D 14-372	
	Measuring area (h x w)	80 x 100 mm	8 x 10 div. 1 div. = 10 mm 1 subdiv. (sd) = 2 mm
	* Screen type		
	Standard	GH (P 31)	
	Option	GM (P 7)	Long persistence
	* Total acceleration voltage	16 kV	
	* Graticule		
	Engravings	Internal fixed	
	Division lines	1 cm	Horizontal as well as vertical
	Subdivisions	2 mm	Idem.
	Dotted lines	1,5 and 6,5 cm from top	Only horizontal.
	Percentages	0%, 10%, 90%, 100%	
	* Orthogonality	90° +/- 1°	Measured in zero point.
	* Illumination	Continuously variable	
	* Display time per channel in chopped mode	< 2 us	
	* LCD liquid crystal display		All relevant settings are visible in display.
	Type No	LC 9438130	
	Visible area	25,4 x 88,8 mm	
	Back lighting	Permanently on	
2.2	VERTICAL DEFLECTION OR Y AXIS		
2.2.1	Channels A and B		
	* Deflection coeff.	2 mV/div...10 V/div	In 1, 2, 5 sequence. If PM 8936/09 is used, deflection coeff. is automatically calculated in display.
	* Variable gain control range	1 : >2,5	
	* Error limit	< +/- 3%	Only in calibrated position.
	* Input impedance Paralleled by	1 M ohm +/-2% 20 pF +/-2pF	Measured at $f_o < 1$ MHz Measured at $f_o < 1$ MHz

CHARACTERISTICS	SPECIFICATION	ADDITIONAL INFORMATION
* Max. input voltage Max. test voltages (rms)	400 V (d.c. + a.c. peak) 500 V	Max. duration 60 sec.
* Bandwidth for 20 mV...10 V	> 60 MHz (amb.: 0...35°C)	Input 6 div. sine-wave.
Bandwidth for 2 mV, 5 mV and 10 mV	> 35 MHz	Input 6 div. sine-wave.
* Rise-time	5,8 ns or less	Calculated from $0,35/f-3$ dB
* Noise 20 mV...10 V	< 0,5 sd	Measured visually. Pick up on open BNC excluded.
* Lower - 3 dB point	< 10 Hz	In AC position, 6 div. sine-wave
* Dynamic range @ 1 MHz @ 50 MHz	> +/- 12 div. > 8 div.	Vernier in cal. position. Vernier in cal. position.
* Position range	> +/- 8 div.	Vernier in cal. position.
* Decoupling factor between channels @ 10 MHz @ 50 MHz	1 : > 100 1 : > 50	Both channels same attenuator setting. Input max. 8 div. sine-wave. 2,5 and 10 V are excluded. 2,5 and 10 V are excluded.
* Common Mode Rejection Ratio @ 1 MHz	1 : > 100	Both channels same attenuator setting, vernier adjusted for best CMRR; measured with max. 8 div. (+/- 4 div.) each channel.
* L.F.Non Linearity	< 3%	
* Visible signal delay	> 15 ns	Max. intensity, measured from line start to trigger point

CHARACTERISTICS	SPECIFICATION	ADDITIONAL INFORMATION
* Base-line jump between attenuator steps 20 mV...10 V	< 1 sd	
Additional jump between 10 mV <---> 20 mV	< 1,5 sd	
Normal Invert jump	< 1 sd	Only channel B.
ADD jump	< 0,6 div.	When A and B are positioned in screen centre (20 mV...10 V).
Variable jump	< 1 sd	Max.jump in any position of the vernier.
 2.2.2 Triggerview		
* Bandwidth via A or B channel 2 mV, 5 mV, 10 mV 20 mV...10 V	> 35 MHz  > 50 MHz (Amb.: 0...35°C)	6 div. sine-wave
Via EXT. input	> 50 MHz	6 div. sine-wave (+/- 3 div. from screen centre).
* Deflection coeff. Via channel A or B	2 mV/div...10 V/div	1, 2, 5 sequence (see Channel A, B).
Via EXT. input	100 mV/div.	
Error limit	< 5%	INTERNAL, EXTERNAL.
* Lower - 3 dB point AC coupling EXT. input	< 10 Hz	Only when trigger coupling is DC.
* Line jump trigger source	< 2 sd	Jump between trigger source A, B composite and EXT.
* OFFSET trig.point from screen centre	< 1,5 sd	
* Delay EXT. trigger view and channel A or B	< 10 ns	
* Dynamic range EXT. input		
@ 1 MHz	> +/- 12 div.	
@ 50 MHz	> 6 div.	



CHARACTERISTICS	SPECIFICATION	ADDITIONAL INFORMATION
2.3	HORIZONTAL DEFLECTION OR X AXIS	
* Horizontal display modes	MTB, MTBI, ALT.TB, DTB X-DEFL	
2.3.1	Main Time Base (MTB)	
* Time coeff. Error limit	0,5 sec...50 ns < 3%	1, 2, 5 sequence (magn.off) Measured at -4...+4 div. from screen centre.
* Horizontal position range	Start of sweep and 10th div. must be shifted over screen centre	
* Variable control ratio	1 : > 2,5	
* Time Base magnifier Error limit	Expansion *10 < 4%	Not valid in X-deflection. Measured at +4...-4 div. from screen centre. Excluding first 50 ns and last 50 ns.
* Horizontal magnifier balance * 10 ---> * 1	< 2,5 sd	Shift start of sweep in * 10 in mid-screen position, then switch to * 1.
* Hold-Off Minimum to maximum hold-off time ratio	1 : > 10	Minimum hold off time is related to time base setting.
2.3.2	Delay Time Base (DTB)	
* Time coeff. Error limit	1 ms...50 ns	Sequence 1, 2, 5. See MTB
* Horizontal position range		See MTB
* Time Base Magnifier		See MTB

CHARACTERISTICS	SPECIFICATION	ADDITIONAL INFORMATION
* Delay time Multiplier		
Error limit	3% + 1% incremental delay error + 25 ns +/- 5 ns	* 1 only
Incremental delay time error	< 1%	* 1 only
* Resolution	1 : 10 000	
* Delay Time Jitter	1 : > 20 000	
* Trace separation		Only valid in alternate time base.
Shift range	> +/- 4 div.	DTB shifts only.
2.3.3 X-deflection		
* Deflection coeff.		
Via channel A or B	2 mV/div...10 V/div 1, 2, 5 sequence.	
Via EXT. input	100 mV/div.	
* Error limit		
Via channel A or B	< +/- 5%	
Via EXT. input	< +/- 5%	
* Bandwidth	DC .... > 2 MHz	DC coupled
* Phase shift between X and Y-deflection	< 3° @ 100 kHz	
* Dynamic range	> +/- 12 div. @ 100 kHz	
2.3.4 EXT input		
* Input impedance	1 M ohm +/- 2%	$f_o < 1$ MHz
Paralleled by	20 pF +/- 2 pF	$f_o < 1$ MHz
* Max. input voltage	400 V (d.c. + a.c. peak)	
Max. test voltage (rms)	500 V	Max. duration 60 sec.
* Lower - 3 dB point	< 10 Hz	AC coupled

CHARACTERISTICS	SPECIFICATION	ADDITIONAL INFORMATION
2.4	TRIGGERING	
2.4.1	MTB triggering	
* Trig.mode		
AUTO (auto free run)	Bright line in absence of trigger signal	Auto free run starts 100 ms (typ.) after no trig.pulse.
Triggered		Switches automatically to auto free run if one of the display channels is grounded.
Single		In multi-channel mode (alternated) each channel is armed after reset; if sweep has already started, sweep is not finished. Not applicable in peak to peak coupling.
* Trigger source		
A, B, Composite (AB), EXT, Line		Line trigger source always triggers on main frequency. Line trigger amplitude depends on line input voltage. Approx. 6 div. @ 220 VAC input voltage.
* Trigger coupling		
Peak-to-peak (p-p), DC, TVL, TVF		
* Level range		
Peak-to-peak	Related to peak-to-peak	p-p coupling is DC rejected.
DC INTERNAL	> (+ or - 8 div.)	
DC EXTERNAL	> (+ or - 800 mV)	
TVL/TVF	Fixed level	
* Trigger slope	+/-	Slope sign in LCD and + or - if TVL/F in chosen for positive or negative video.
* Trigger sensitivity		
INTERNAL		
0 - 10 MHz	< 0,5 div.	Trig. coupling DC.
@ 50 MHz	< 1,0 div.	Trig. coupling DC.
@ 100 MHz	3,0 div.	Trig. coupling DC.
EXTERNAL		
0 - 10 MHz	< 50 mV	Trig. coupling DC.
@ 50 MHz	< 150 mV	Trig. coupling DC.
@ 100 MHz	500 mV	Trig. coupling DC.
TVL/F INTERNAL	< 0,7 div.	Sync. pulse.
EXTERNAL	< 70 mV	Sync. pulse.

CHARACTERISTICS	SPECIFICATION	ADDITIONAL INFORMATION
2.4.2	DTB Triggering	
	* DTB trigger source Starts, A, B, Composite (AB), EXT and TVL	TVL has same trig.source as MTB trig. source TVL only valid if MTB trig. coupling TVL or TVF is chosen.
	* Coupling	DC
	* Trigger sensitivity	See MTB
	* Trigger Level range	> (+ or - 8 div.)
	* Trigger slope	+/-
		Slope sign in LCD, if TVL is chosen. Slope sign is not valid
2.5	POWER SUPPLY	
	* Line input voltage AC Nominal Limits of operation	100 - 240 V 90 - 264 V
		One range.
	* Line frequency Nominal Limits of operation	50 - 400 Hz 45 - 440 Hz
	* Safety requirements within specification of: IEC 348 CLASS I UL 1244 VDE 0411 CSA 556 B	
	* Power consumption	45 W

CHARACTERISTICS	SPECIFICATION	ADDITIONAL INFORMATION
2.6	AUXILIARY INPUTS OR OUTPUTS	
* Z-MOD		TTL-compatible.
ViH	> 2,0 V	Blanks display.
ViL	< 0,8 V	Max. intensity
		Analogue control between ViH and ViL is possible.
* DIN plug 9-pin (female)		For IEEE control, front-panel memory back-up.
* CAL		To calibrate drop or tilt probes.
Output voltage	1,2 V +/- 1%	Rectangular output pulse.
Frequency	2 kHz	
The output may be short-circuit to ground.		
2.7	ENVIRONMENTAL CHARACTERISTICS	
The environmental data mentioned in this manual are based on the results of the manufacturer's checking procedures. Details on these procedures and failure criteria are supplied on request by the PHILIPS organisation in your country, or by PHILIPS, INDUSTRIAL AND ELECTRO-ACOUSTIC SYSTEMS DIVISION, EINDHOVEN, THE NETHERLANDS.		
* Meets environmental requirements of:	MIL-T-28800 C, type III, CLASS 5 Style D	
* Temperature		
Operation temp. range within specification	10...40°C	MIL-T-28800 C par. 3.9.2.3. tested, par. 4.5.5.1.1.
Limits of operation temperature range	0 ...50°C	Idem.
Non-operating (Storage)	- 40°C/+ 75°C	MIL-T-28800 C par. 3.9.2.3. tested, par. 4.5.5.1.1.
* Max. humidity operating non-operating	95% RH	10...30°C
* Max. altitude		MIL-T-28800 C par. 3.9.3. tested, par. 4.5.5.2.
Operating	4,5 km (15000 feet)	Maximum (Operating Temperature derated 3°C for each km, for each 3000 feet, above sea level).
Non-operating (storage)	12 km (40 000 feet)	

CHARACTERISTICS	SPECIFICATION	ADDITIONAL INFORMATION
* Vibration (operating)		MIL-T-28800 C par. 3.9.4.1. tested, par. 4.5.5.3.1.
Freq. 5...15 Hz	7 min.	
Sweep Time		
Excursion (p-p)	1,5 mm	
Max Acceleration	7 m/s <sup>2</sup> (0,7 x g)	@ 15 Hz
Freq. 15...25 Hz	3 min.	
Sweep Time		
Excursion (p-p)	1 mm	
Max Acceleration	13 m/s <sup>2</sup> (1,3 x g)	@ 25 Hz
Freq. 25...55 Hz	5 min.	
Sweep Time		
Excursion (p-p)	0,5 mm	
Max Acceleration	30 m/s <sup>2</sup> (3 x g)	@ 55 Hz
Resonance Dwell	10 min.	@ each resonance freq. (or @ 33 Hz if no resonance was found). Excursion, 9.7.1. to 9.7.2.
* Shock (operating)		MIL-T-28800 C par. 3.9.5.1. tested, par. 4.5.5.4.1.
Amount of shocks total	18	
each axis	6	(3 in each direction).
Shock Wave-form	Half sine-wave	
Duration	11 ms	11 ms
Peak Acceleration	300 m/s <sup>2</sup> (30 x g)	
* Bench handling		Mil-T-28800 C par. 3.9.5.3. tested, par. 4.5.5.4.3.
Meets requirements of	MIL-STD-810 method 516, pro- ced. V	
* Salt Atmosphere		MIL-T-28800C par. 3.9.8.1 tested, par. 4.5.6.2.1.
Structural parts meet require- ments of	MIL-STD-810 methode 509, pro- ced. I salt so- lution 20%	
* EMI (Electronic Magnetic Inter- ference)		
meets require- ments of	MIL-STD-461 CLASS B	Applicable requirements of part 7 : CE03, CS01, CS02, CS06, RE02, RS03
	VDE 0871 and VDE 0875 Grenzwert- klasse B	

CHARACTERISTICS	SPECIFICATION	ADDITIONAL INFORMATION
* Magnetic Radiated Susceptibility Maximum Deflection Factor		Tested in conformity with IEC 351-1 par. 5.1.3.1. Measured with instrument in a homogeneous magnetic field (in any direction with respect to instrument) with a flux intensity (p-p value) of 1,42 mT (14,2 gauss) and of symmetrical sine-wave form with a frequency of 45...66Hz.
2.8 SAFETY		
* Meets requirements of	IEC 348 CLASS I VDE 0411  UL 1244 CSA 556 B	Except for power cord, unless shipped with Universal European power plug. Except for power cord, unless shipped with North American power plug.
* Max. X-Radiation		Measured @ 5 cm from surface of instrument for a target area of 10 cm <sup>2</sup>
* Recovery time	15 min. 30 min. 45 min. 60 min.	-10°C ----> + 25°C ambient temp. -20°C ----> + 25°C ambient temp. -30°C ----> + 25°C ambient temp. -40°C ----> + 40°C ambient temp.

### 3. INTRODUCTION TO CIRCUIT DESCRIPTION AND BLOCK DIAGRAM DESCRIPTION

#### 3.1 INTRODUCTION TO CIRCUIT DESCRIPTION

The functioning of the circuits is described per printed-circuit board (p.c.b.). For every p.c.b. a separate chapter (4-10) is available containing the lay out of the p.c.b., the associated circuit diagram(s) and the circuit description.

##### Location of electrical parts

The item numbers of C...., R...., V...., N...., D.... and K.... have been divided into groups which relate to the circuit and the printed-circuit board according to the following table:

Item number	unit no.	Printed-circuit board	Figure
1000-1999	A1	Attenuator unit	4
2000-2999	A2	Pre-amplifier unit	5
3000-3999	A3	XYZ amplifier unit	6
4000-4999	A4	Time-base unit	7
5000-5999	A5	CRT control unit	8
6000-6999	A6	Power supply	9
7000-7999	A7	Front unit	10
8000-8999	A8	LCD unit	10



## 3.2 BLOCK DIAGRAM DESCRIPTION (see figure 3.1).

### 3.2.1 Introduction

This block diagram description is based around all the important functional blocks and their interconnections. The interconnections between all p.c.b.'s are given in the interconnection diagram of figure 14.5. In order to assist in cross-reference with the circuit diagrams, the blocks include the item numbers of the active components they contain.

Furthermore, the blocks are grouped together per printed-circuit board or a part of it. To facilitate reference, the names of the functional blocks are given in text in CAPITALS.

Signal waveforms are also indicated at block interconnections where useful.

In this instrument almost all the switches (UP-DOWN controls, softkeys and potentiometer UNCAL switches) influence the oscilloscope circuits via a microcomputer (uC) system.

### 3.2.2 Control unit

Because the functional description of the control unit (see chapter 10) is almost similar to the blockdiagram description, no specific attention is given in this chapter to this unit.

### 3.2.3 Attenuator unit

The vertical channels A and B for the signals to be displayed are identical. Each channel comprises an input SIGNAL COUPLING for AC/DC, a HIGH IMPEDANCE ATTENUATOR which gives a grounded input or a signal attenuation of x1-x10 or x100, an IMPEDANCE CONVERTER, a LOW IMPEDANCE ATTENUATOR which gives signal attenuation of x1-x2,5 or x5 and a GAIN x1-x10

AMPLIFIER block, incorporated with the CONTINUOUS CIRCUIT. This block has a variable gain, influenced by the front-panel VAR control. The gain is also increased by x10 in order to obtain 2-5 and 10mV settings

Similar to the vertical channels, the external channel attenuator also has an input SIGNAL COUPLING, HIGH IMPEDANCE ATTENUATOR and IMPEDANCE CONVERTER in line. However, the external channel has only x1 attenuation and no LOW IMPEDANCE ATTENUATOR. The output of the external channel is fed to both MTB and DTB TRIGGER PRE-AMPLIFIERS.

All blocks that are capable of working in different modes are controlled by the control A or control B signals. These signals are generated by the CH.A CONTROL or CH.B CONTROL blocks.

### 3.2.4 Pre-amplifier unit

This unit incorporates the signal splitters for the vertical channels and B, the trigger view amplifier, the trigger circuits for the MTB and DTB and the chopper oscillator circuit. All these functions are controlled by the control XYP and control XYA signals, generated by the X-Y CONTROL blocks.

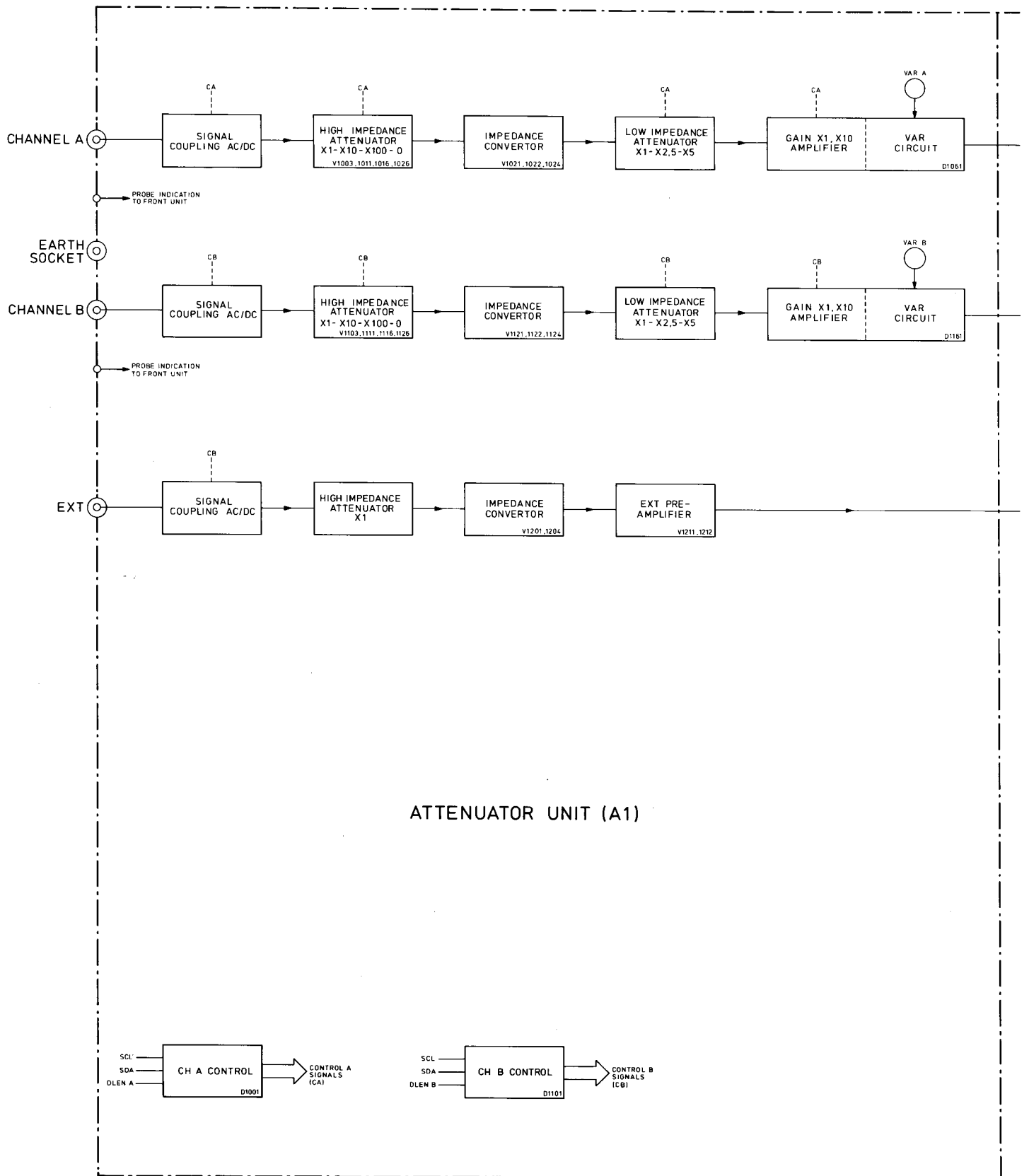
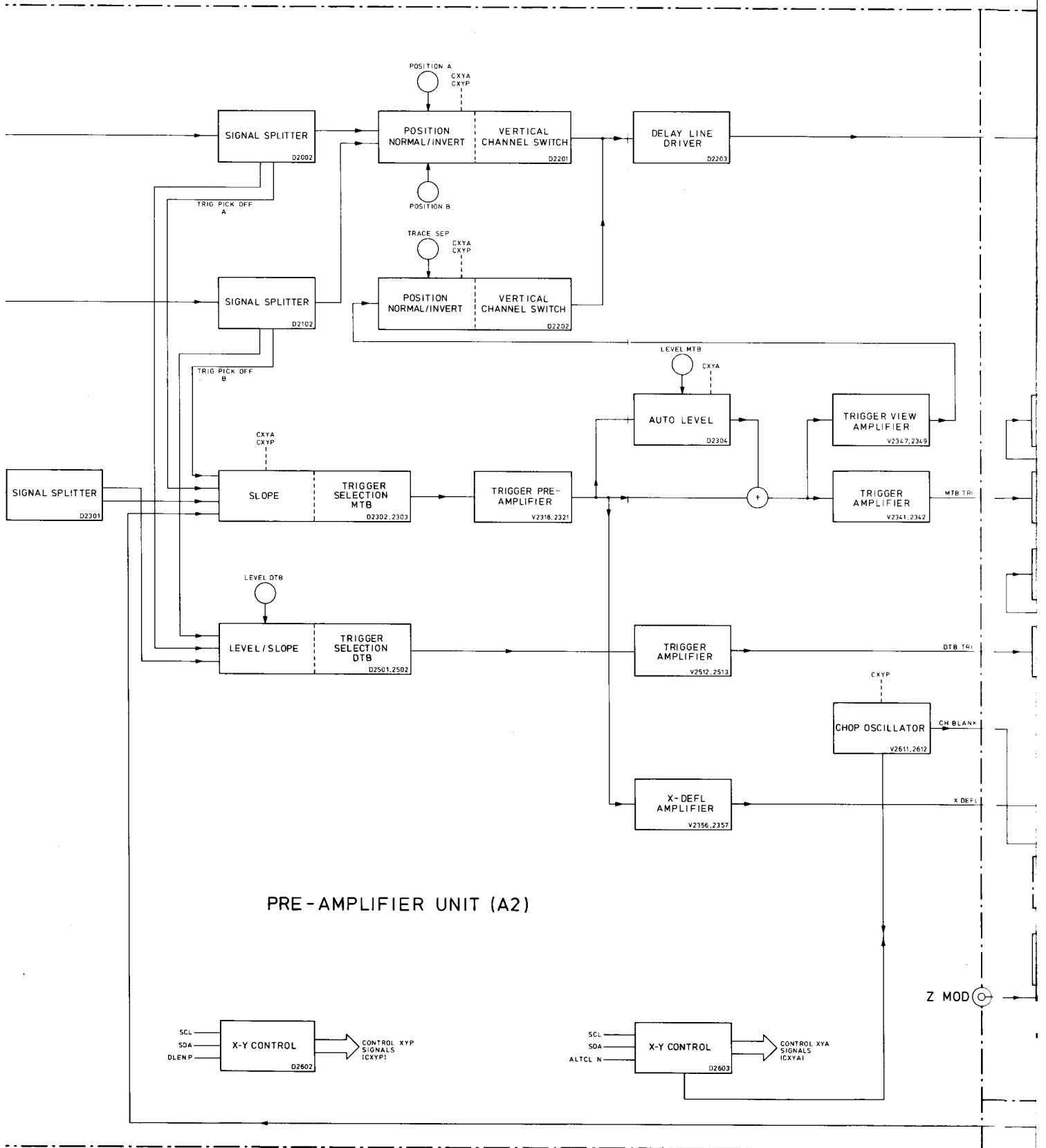


Figure 3.1 Block diagram

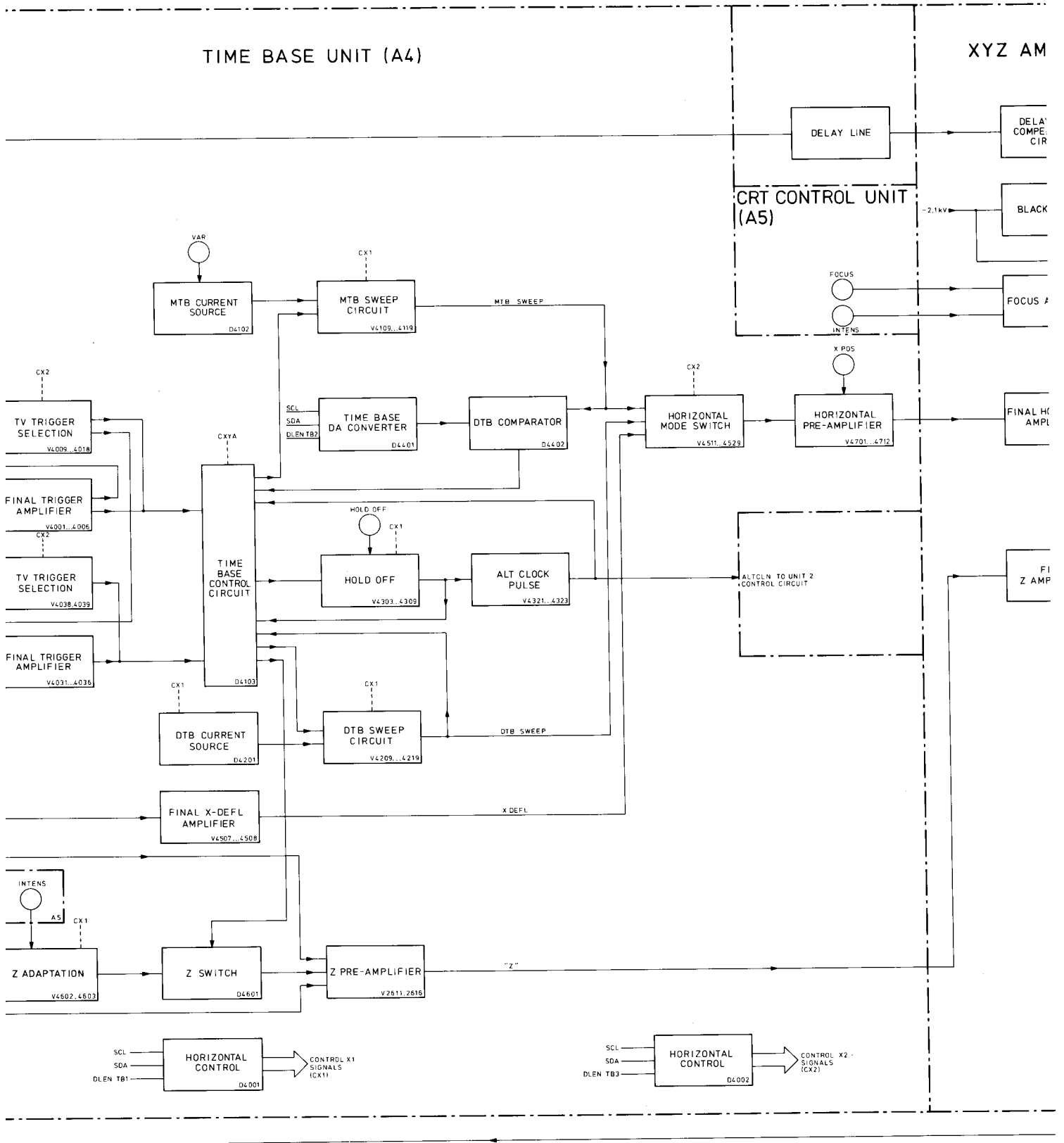


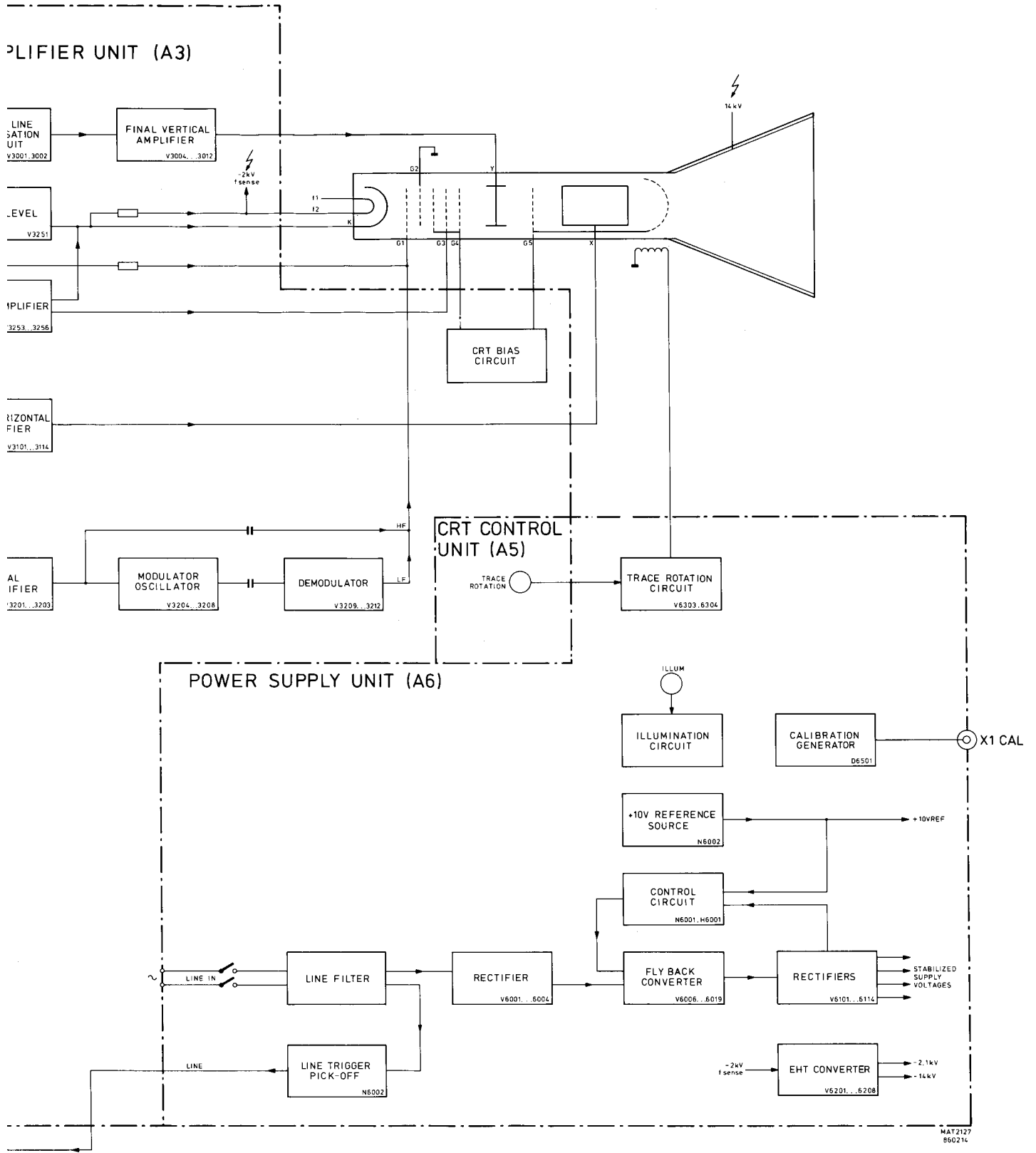
PRE-AMPLIFIER UNIT (A2)

Z MOD

TIME BASE UNIT (A4)

XYZ AM





\* Vertical channels A and B:

Both channels are completely identical and receive their input signals from the ATTENUATOR UNIT. This signal is applied to the SIGNAL SPLITTER, which has three outputs:

- two outputs applied to the SLOPE/TRIGGER SELECTIONS for MTB or DTB triggering.
- a third output routed to the POSITION/NORMAL-INVERT block.

This block is incorporated with the VERTICAL CHANNEL SWITCH in a single IC. Vertical shift of the displayed signal is achieved by the front-panel POSITION control. The output of this block and the output of the TRIGGER VIEW channel are routed via the DELAY LINE DRIVER to the DELAY LINE. The TRIGGER VIEW channel enables display of the MTB trigger source and can be used as a third vertical channel with limited specifications. The front-panel TRACE SEP control influences the position of the trace of the DTB signals related to the trace of the MTB signal.

\* MTB trigger circuit:

The SLOPE/TRIGGER SELECTION block receives a trigger signal from one of the vertical channels A or B, from the EXT SIGNAL SPLITTER or from the LINE TRIGGER PICK-OFF. Inverting of the trigger signal is controlled by the CXYA signals INVAM and INVBM to obtain the MTB slope function. Routed via the TRIGGER PRE-AMPLIFIER, block the signal is split up into three different paths:

- after summation of the LEVEL signal, direct to the TRIGGER AMPLIFIER
- to the AUTO LEVEL block. This block contains the different trigger facilities and levelling of the trigger signal is influenced by the front-panel LEVEL control. The output of this path is routed again to the summation point to influence the direct trigger signal.
- to the X-DEFL AMPLIFIER for X-deflection facility. This block incorporates a phase correction circuit for the X-Y display.

The TRIGGER AMPLIFIER feeds the MTB trigger signal to the time-base unit. The trigger signal from the summation point is also routed via the TRIGGER VIEW AMPLIFIER to the vertical CHANNEL SWITCH stage to display this signal.

\* DTB trigger circuit:

Basically, for triggering purposes this circuit is identical to the MTB trigger circuit. This circuit also has a SLOPE/TRIGGER SELECTION and TRIGGER AMPLIFIER block. However, the DTB trigger circuit has no LINE trigger or AUTO LEVEL facility. The LEVEL control directly influences the SLOPE/TRIGGER SELECTION block.

\* Chopper oscillator circuit:

A square-wave signal for chopper blanking and vertical switching is generated in the CHOP OSCILLATOR. For chopper blanking the signal is routed to the Z PRE-AMPLIFIER on the time-base unit.

## 3.2.5 Time-base unit

This unit incorporates the main time-base (MTB), the delayed time-base (DTB), the horizontal amplifier and the Z amplifier circuit. All functions are controlled by the CX1 and CX2 signals, generated by the HORIZONTAL CONTROL CIRCUIT blocks.

## \* Main time-base (MTB):

The MTB trigger signal can be either directly routed to the TIME-BASE CONTROL CIRCUIT or first routed via the TV TRIGGER SELECTION for the TV trigger coupling. When in the AUTO mode, in the absence of trigger signals, the MTB will be free running.

The MTB CURRENT SOURCE applies the sawtooth charging current to the MTB sweep circuit. This block generates the MTB sawtooth signal, which is routed to the HORIZONTAL DISPLAY MODE SWITCH.

The HOLD OFF and the ALT CLOCK PULSE blocks are also under control of the TIME BASE CONTROL CIRCUIT. Hold off time is varied by the front-panel HOLD OFF control. The output of the HOLD OFF block is routed to the TIME-BASE CONTROL CIRCUIT again.

The ALTCLN-pulse is applied to the PRE-AMPLIFIER UNIT.

## 3.2.6 XYZ unit

This unit comprises the final amplifiers for the vertical (Y) and horizontal (X) deflection and for the blanking (Z) circuit. In addition to this, the CRT control circuits are also incorporated in the unit.

## \* Final vertical amplifier:

The output signal from the pre-amplifier unit is first routed via the DELAY LINE to give sufficient delay to ensure that the steep leading edges of fast signals are displayed and then fed to the DELAY LINE COMPENSATION. This block compensates the signal for distortion originating in the DELAY LINE before it is applied to the FINAL VERTICAL AMPLIFIER. The output of the FINAL VERTICAL AMPLIFIER feeds the vertical deflection plates of the CRT.

## \* Final horizontal amplifier:

The horizontal deflection signal is routed to the FINAL HORIZONTAL AMPLIFIER, the output of which feeds the horizontal deflection plates of the CRT.

## \* Blanking circuit:

The output signal from the Z PRE-AMPLIFIER of the time-base unit, that determines trace blanking or unblanking and modulation is routed to the FINAL Z-AMPLIFIER. After amplification the blanking signal is split into two paths:

- the h.f. signals are fed via a high voltage capacitor to grid G1 of the CRT.
- the l.f. signals are used to modulate the amplitude of an oscillator wave-form, which then passes via another high voltage capacitor and is demodulated in the DEMODULATOR block to retrieve the original signal.

Note that the original h.f. and l.f. signals are again recombined on the grid G1.

\* CRT control circuits:

The FOCUS AMPLIFIER block is influenced by both front-panel FOCUS and INTENS controls to provide a focus that is independent of the intensity, and drives the focusing grid G3 of the CRT.

The -100 V BLACK LEVEL block provides the correct presetting of the cathode voltage.

The CRT BIAS gives a d.c. voltage to the grids G4 and G5 to provide an optional adjustment for geometry and astigmatism.

3.2.7 Power supply unit

The mains input voltage is filtered and then applied to the RECTIFIER block to obtain a d.c. voltage source. Another output of the LINE FILTER block is routed via the LINE TRIGGER PICK-OFF and serves as a MTB LINE trigger signal. The rectified mains source is routed to the FLYBACK CONVERTER, which generates the necessary voltages for the oscilloscope circuits. Each supply voltage is rectified in the RECTIFIERS block.

The LOW-voltage supplies are stabilized by the CONTROL circuit to the converter.

The +10 V REF supply serves as a low-voltage reference and is generated in the +10 V REFERENCE source block. This reference voltage is also fed to the different circuits on the power supply or in the oscilloscope.

The EHT CONVERTER generates the -14 kV for the post-accelerator anode of the CRT and the -2 kV for the cathode circuits.

\* Auxiliary circuits:

The CALIBRATION GENERATOR generates the CAL voltage, which is applied to the output socket X1. The CAL voltage has a 1,2 V p-p level with a frequency of 2kHz square wave.

The ILLUMINATION CIRCUIT determines the amount of current passed to the graticule illumination lamp of the CRT controlled by the ILLUM control on the front-panel.

The TRACE ROTATION CIRCUIT determines the strength and sense of the current passed to the trace rotation coil around the neck of the CRT. The current is influenced by the front-panel screwdriver operated TRACE ROT control.



4. ATTENUATOR UNIT (A1)

4.1 VERTICAL ATTENUATORS

The A and B channel attenuators are identical: therefore only channel A is described.

All relay and FET switches are controlled by the microcomputer via the I<sup>2</sup>C bus. The TEA 1017 converts this serial DATA into the parallel control signals for all relay or FET switches. A list of the control lines for all attenuator settings is given in the table below.

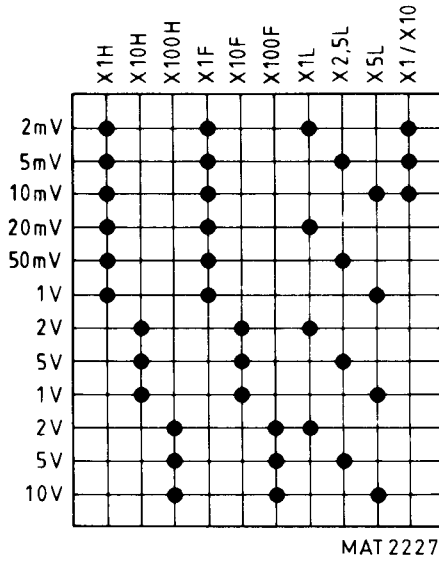


Figure 4.1 Table of attenuator settings

The channel A attenuator consists of in five stages:

Input coupling, where depending on the relay K1001 position, the input signal can either be d.c.-coupled (relay activated) or a.c.-coupled (relay not activated).

High impedance attenuator with three attenuator stages for the x1, x10 and x100 attenuation. The l.f. part of each stage is split via a resistor divider and routed via N1001 and V1019 to the output of this stage, where it is re-connected with the h.f. part of the input signal. Potentiometers R1036 (TRACE jump) serves as a offset compensation for N1001.

	RELAY	FET	TRIMMER FOR L.F. SQUARE WAVE	L.F. RESISTOR DIVIDER
x 1	K1004	V1011	C1033	--
x 10	K1003	V1006	C1029	R1007-R1011
x100	K1002	V1003	C1023	R1019-R1004

Note that, when "0" (GND-A) is selected, the output is connected to ground via FET V1016 and all other relay- and FET switches are switched off.

The impedance converter serves as an inverting buffer circuit for the high impedance attenuator. For the l.f.-feedback the output signal of this stage is routed to the l.f. summation point N1001-2.

The low impedance attenuator reduces the gain by x1, x2.5 and x5, depending on which relay is activated.

	RELAY	RESISTOR DIVIDER
x1	K1006	--
x2.5	K1007	R1053 vs R1056, R1057 and R1058
x5	K1008	R1053, R1056 and R1057 vs R1058

The continuous circuit (OQ0203), the differential input voltages of which are fed to pins 4 and 5.

This stage comprises the following functions:

- Continuously variable control (pin 11).
- Gain x1 (pin 2 and 3) with offset adjustment R1064 (R1164) and gain adjustment R1069 (R1169).
- Gain x10 (pin 6 and 7) with offset adjusting R1072 (R1172) and gain adjustment R1076 (R1176).
- x1/x10 control, (pin 10) to select the 2,5 and 10 mV/DIV settings.

The differential output current from pin 13 and pin 14 is routed via a common-base circuit V1063, V1064 and applied to the pre-amplifier unit.

#### 4.2 EXTERNAL INPUT

The external input can be subdivided into four stages:

Input coupling, basically similar to the ch.A input coupling.

High impedance attenuator for the x1 attenuator only, where the l.f. square-wave can be adjusted with trimmer C1206. The l.f. part is routed to the summation point N1201-2. R1217 serves as an offset compensation for N1201. For l.f.-feedback the output of the impedance converter is also routed to this summation point.

Note that the output of this stage is also a reconstituted version of the input signal.

Impedance converter, is basic similar to the ch.A impedance converter.

The differential amplifier V1211, V1212 converts the voltage from emitter-follower V1209 into the differential current signals EXT+ and EXT-. This signal is applied to the pre-amplifier unit and serves as external trigger signal or as an external deflection signal. The current for this stage is applied from current source V1213.

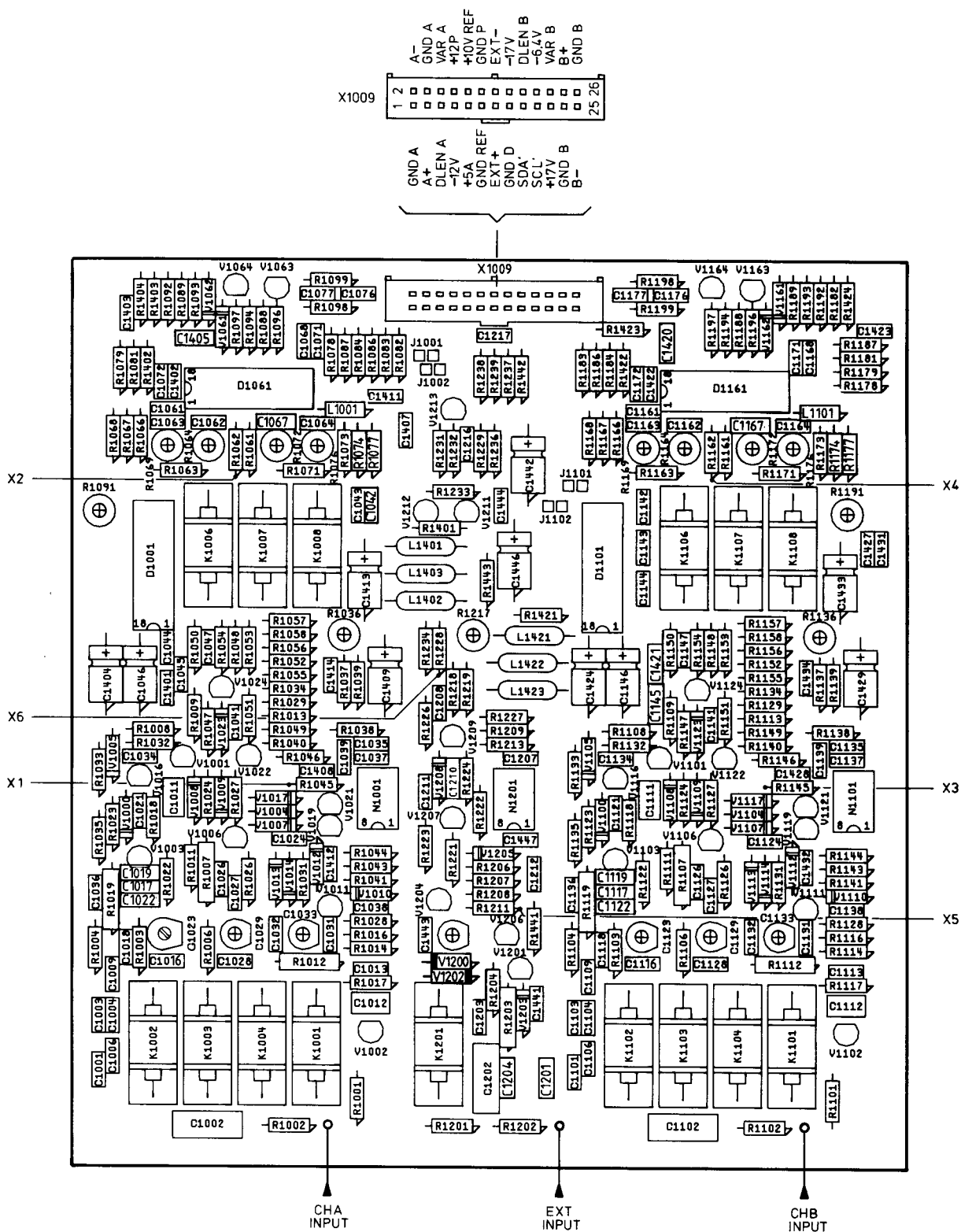


Figure 4.2 Attenuator unit p.c.b.

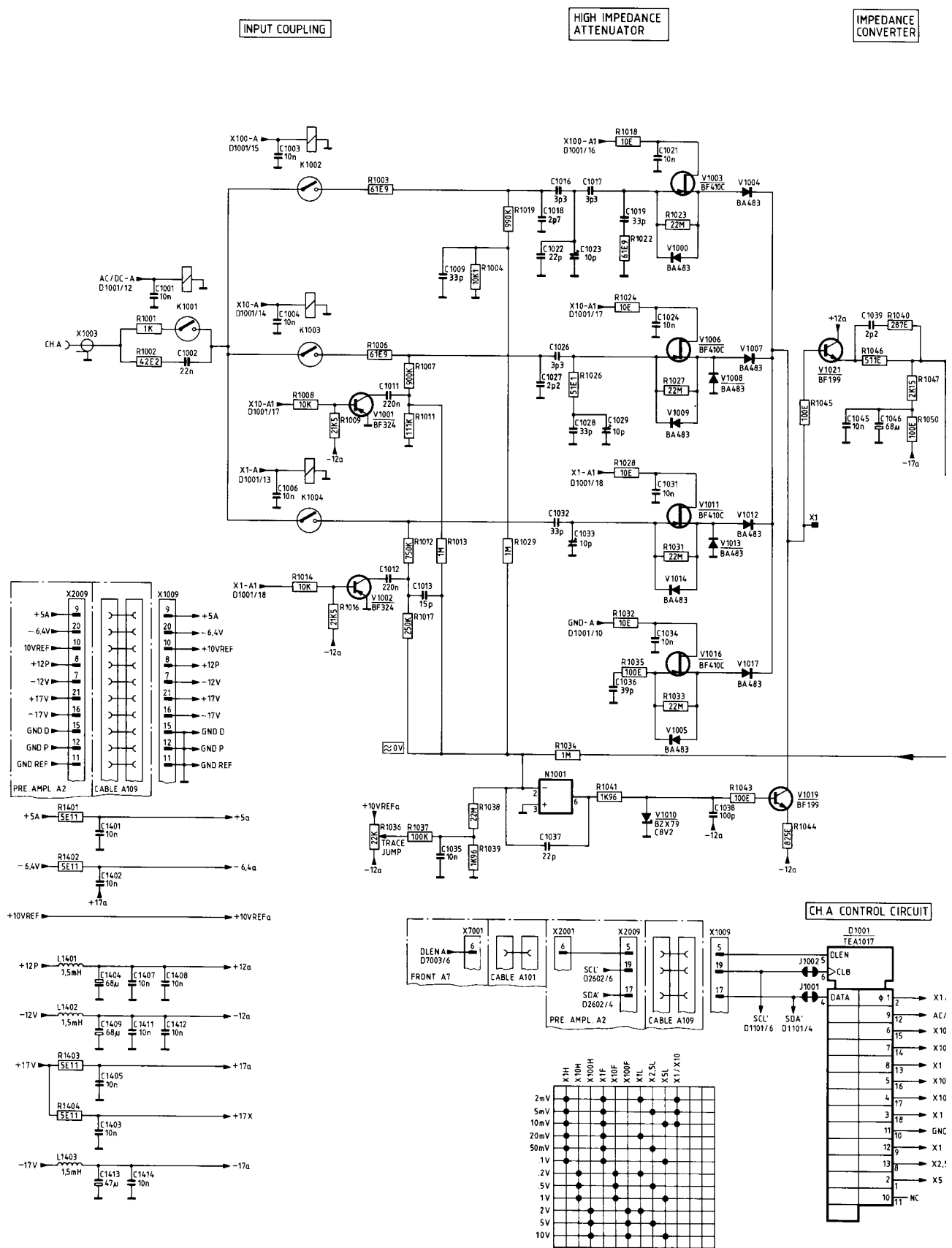
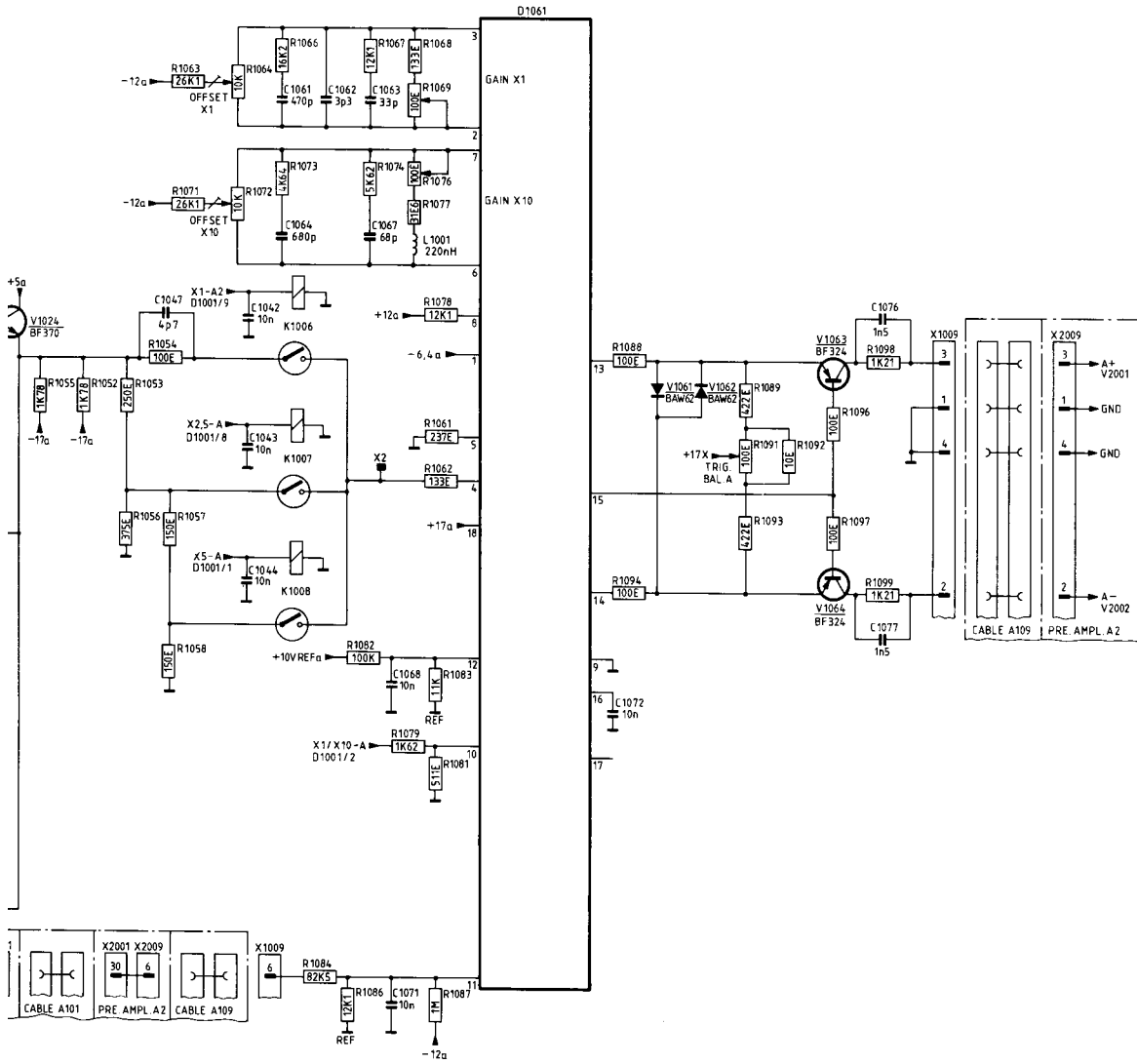


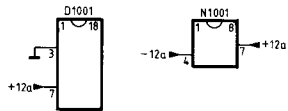
Figure 4.3 Circuit diagram of attenuator, ch. A

LOW IMPEDANCE ATTENUATOR

GAIN SWITCH VAR CIRCUIT



REF NO.	TYPE
D1001	TEA1017
D1061	QQ0203
N1001	JA714



MAT3169  
880212

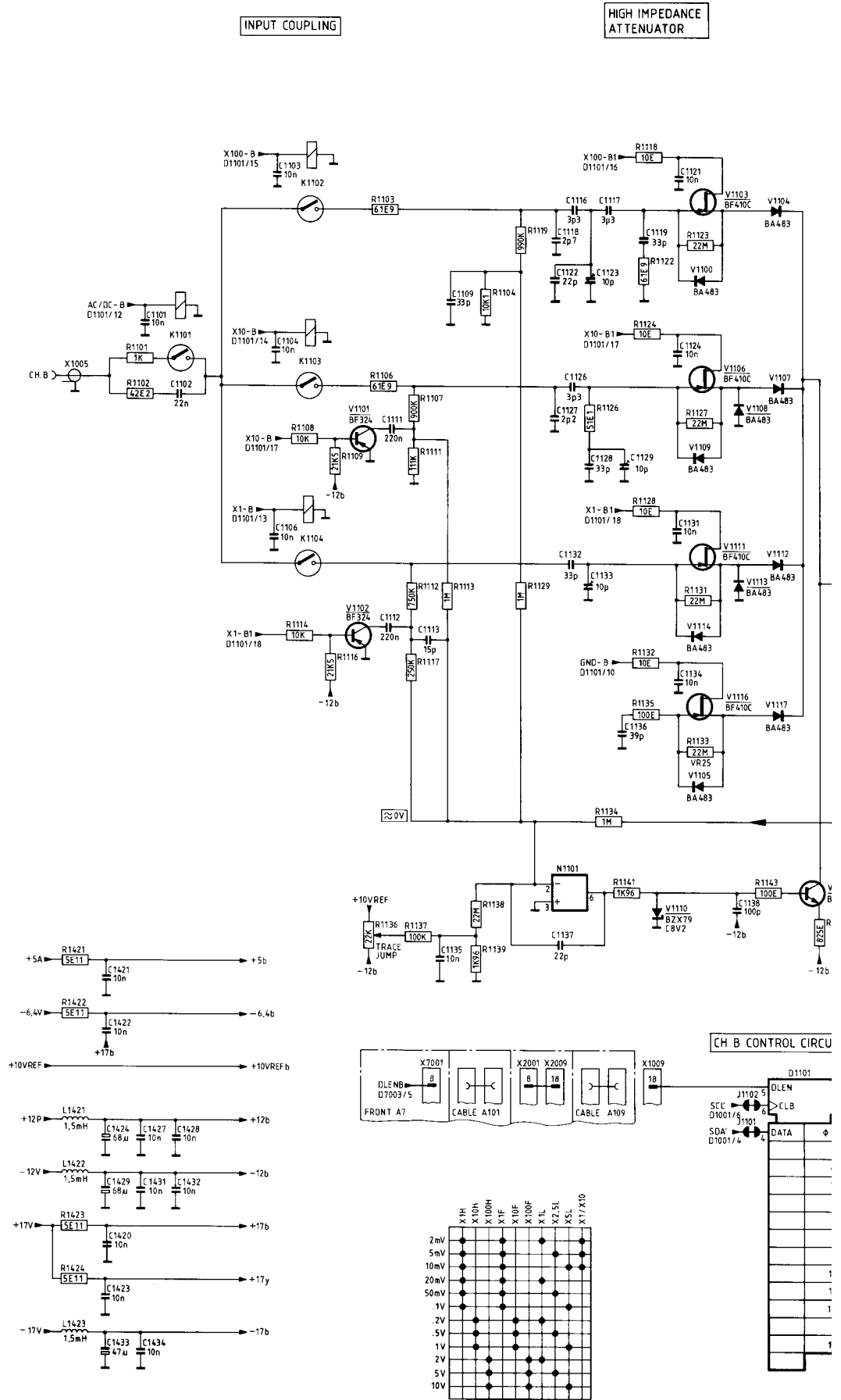
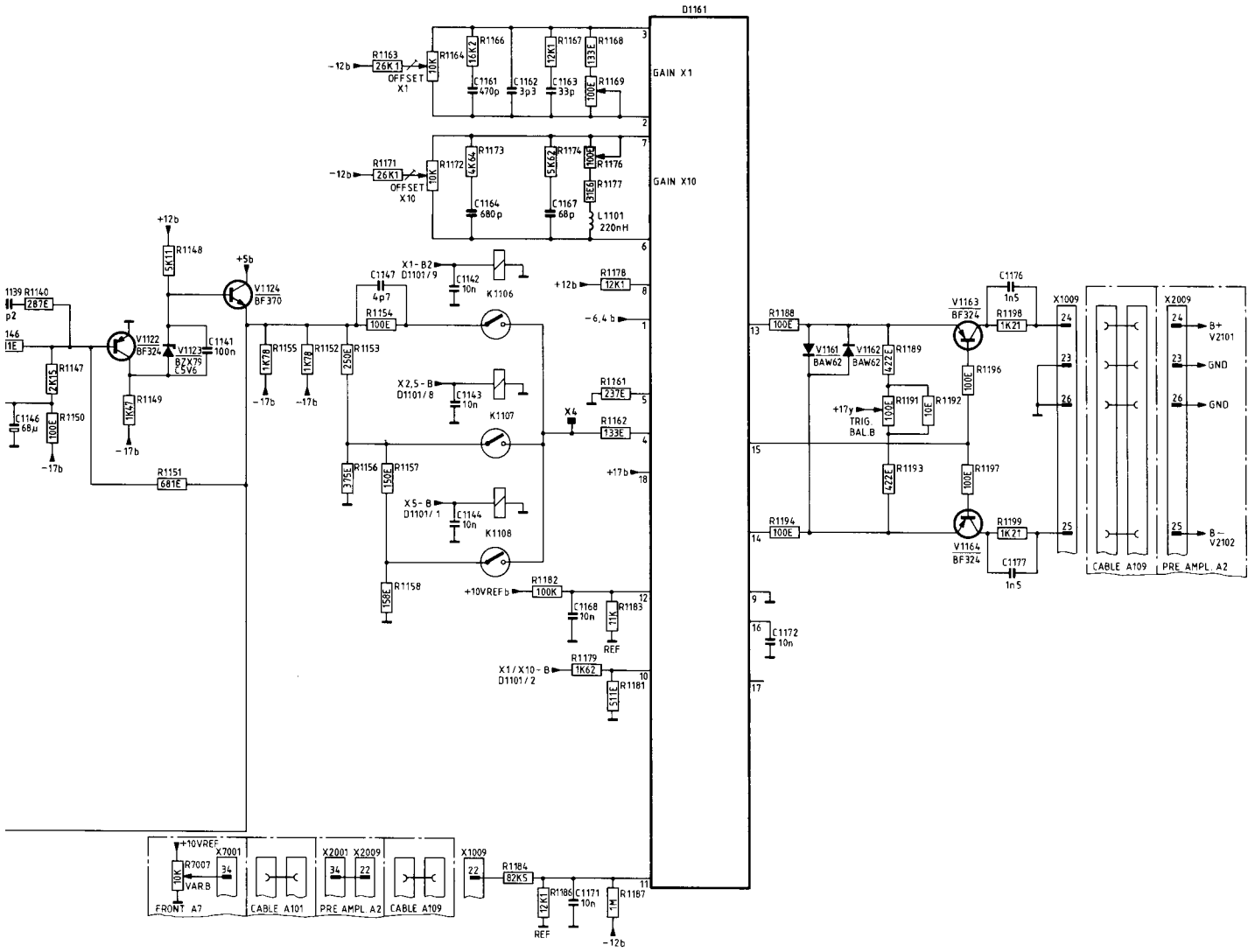


Figure 4.4 Circuit diagram of attenuator, ch. B

PEDANCE  
NVERTER

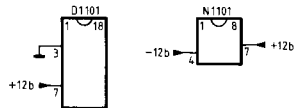
LOW IMPEDANCE  
ATTENUATOR

GAIN SWITCH  
VAR CIRCUIT



- 10-B R1179
- 1-B K1101
- 6 K1102
- K1103
- K1104
- 31 R1118
- 1 R1108 / R1124
- R1114 / R1128
- B R1132
- 1 K1106
- 3 K1107
- K1108
- EXT K1201

REF NO	TYPE
D1101	TEA1017
D1161	000203
N1101	µA714



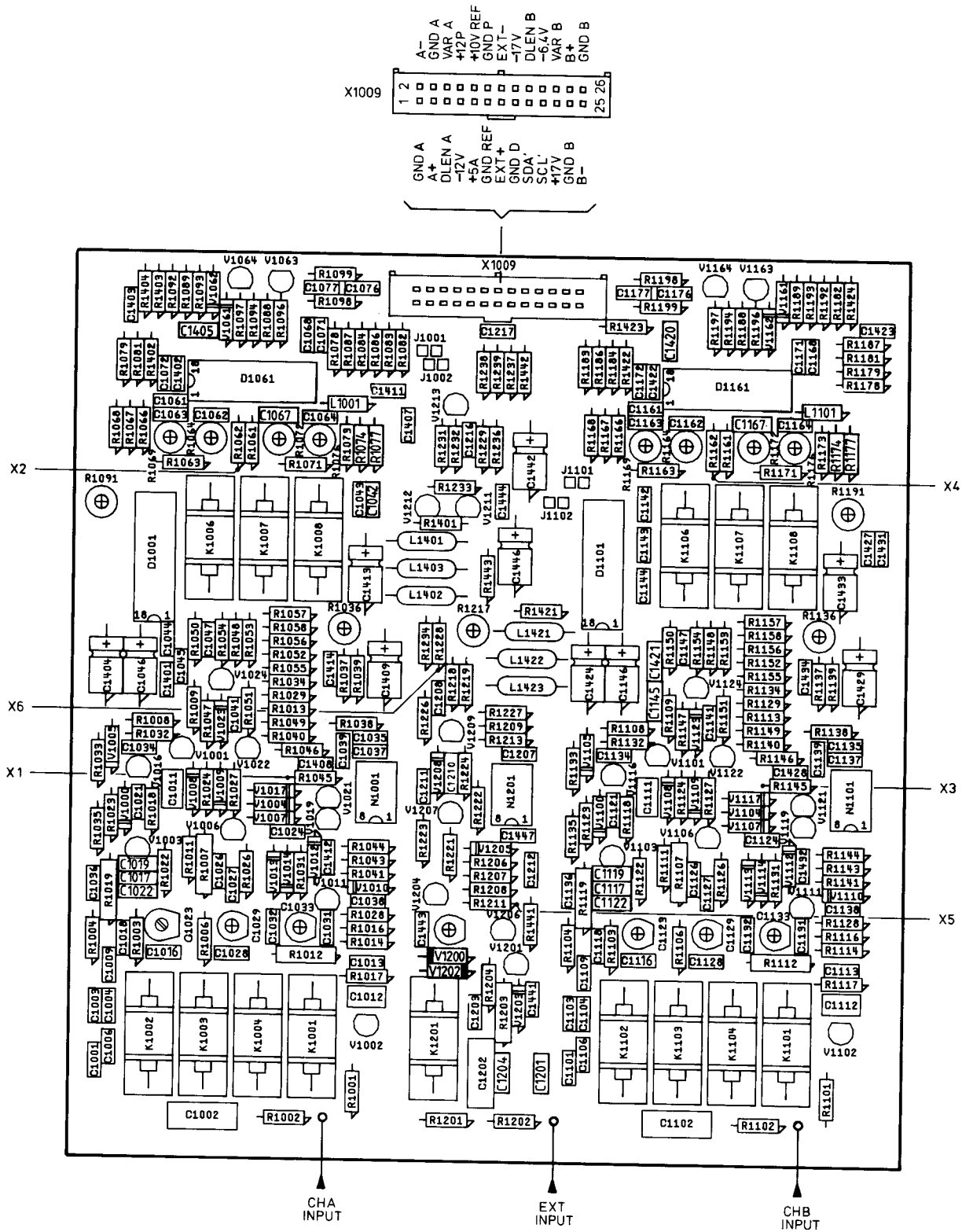


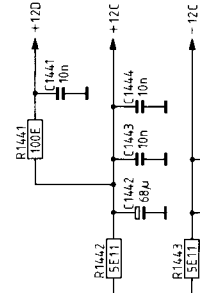
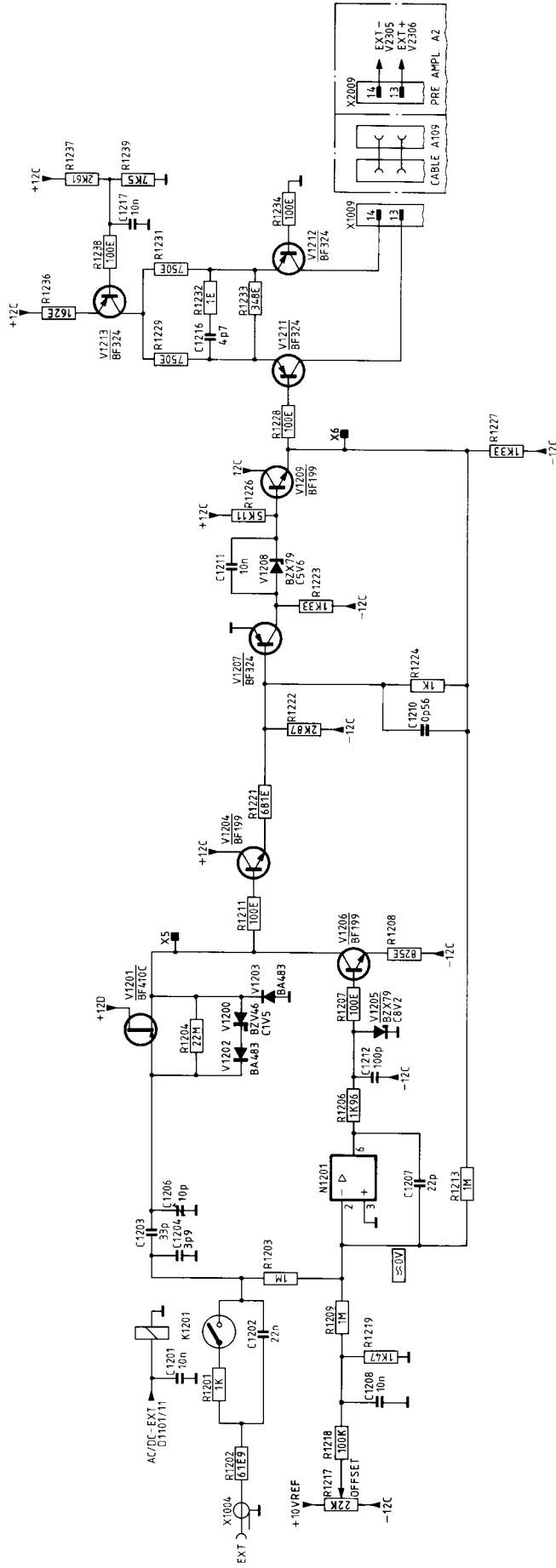
Figure 4.5 Attenuator unit p.c.b.



INPUT COUPLING

IMPEDANCE CONVERTER

EXT. PRE-AMPLIFIER



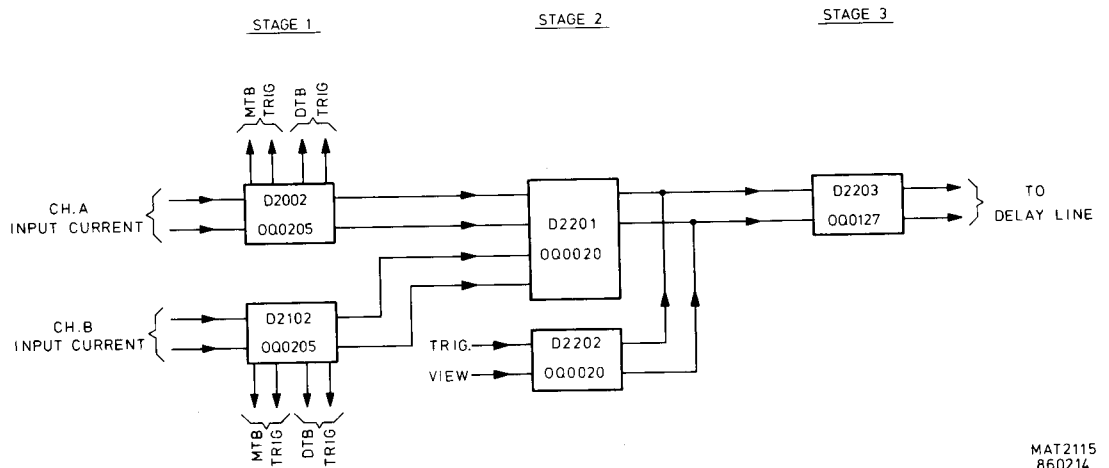
## 5. PRE-AMPLIFIER UNIT (A2)

The pre-amplifier unit consists of:

- Vertical pre-amplifier
- MTB trigger pre-amplifier
- DTB trigger pre-amplifier
- Pre-amplifier control, incl. CHOPPER oscillator.

All control pulses for this unit are generated by the pre-amplifier control circuit, via the I<sup>2</sup>C bus (see section 5.4).

### 5.1 VERTICAL PRE-AMPLIFIER



MAT2115  
860214

Figure 5.1 The three stages of the vertical pre-amplifier

The vertical pre-amplifier consists of three stages.

The signal splitter (Q0205) receives its input signal for channel A (B) from the attenuator unit and copies this signal into three identical differential output current signals for:

- Vertical channel (pin 7 and 10)
- MTB triggering (pin 5 and 12), see section 5.2.
- DTB triggering (pin 4 and 13), see section 5.3.

Stage 2 (Q00020) consists of two integrated circuits D2201 and D2202, connected in parallel and serves as a vertical channel switch. The switch selection is as follows:

	D2201		D2202
	pin 10	pin 11	pin 10
A	1	0	0
B	0	1	0
TRIG VIEW	0	0	1
ADD	1	1	0

Further, all possible 2, 3, or 4 channel combinations are possible in alternated or chopped display (see also section 5.4).

This stage comprises the following functions:

- Position control POS A R7006 on D2201-1 for ch. A and POS B R7008 on D2201-8 for ch. B.
- Channel B normal/invert (high is INVERT) on D2201-7.  
(The balance between normal/invert can be adjusted with R2212).
- Trigger view invert (high is INVERT) on D2202-2.
- Trace separation control with R7013 on D2202-8.

Stage 3 (D2203) serves as delay line driver where the output current of both OQ0020 is converted into voltage signal applied to the delay line. The current for this stage and for D2201 and D2202 is fed via R2231 and R2246.

The current regulation for the common-mode circuit is achieved by transistor D2203 (12, 13, 14).

## 5.2 MTB TRIGGER PRE-AMPLIFIER

Trigger possibilities are:

	Signal name	Signal routed to	Selected by: name	Selected by: routed to	inverted by: name	inverted by: routed to
ch. A	TRAM+, TRAM-	D2302(3,4)	AM	D2302(10)	INVAM	D2302(2)
ch. B	TRBM+, TRBM-	D2302(5,6)	BM	D2302(11)	INBVM	D2302(7)
EXTERNAL	EXT-, EXT+	D2303(3,4)	EXTM	D2303(10)	INVTM	D2303(2)
line	LINE	D2303(5)	LNM	D2303(11)	INVTM	D2303(7)

D2301 serves as a signal splitter and receives its input signal from the attenuator unit. This input current signal is copied into two identical differential output current signals for:

- EXT MTB signal (pin 6 and 11)
- EXT DTB signal (pin 7 and 10), (see Section 5.3).

The symmetrical output currents from D2302 (13, 14) and D2303 (13, 14) are converted into a symmetrical voltage again in the common-base circuit V2316, V2319 followed by a shunt feedback circuit V2318 and V2321. Note that the sensitivity at the collectors of V2318 and V2321 is 110 mV/DIV.

At this point the signal path is divided into:

- a trigger path, fed to both V2333 and V2334, where depending on the current to the base, levelling of the trigger signal is obtained. Two separate series feedback circuits take care of voltage-to-current conversion:

\* V2341 and V2342 for main time-base triggering.

The trigger output signal, TRIGM- and TRIGM+ are fed to the time-base unit A4.

\* V2347 and V2349 for trigger view.

This symmetrical output can be balanced by potentiometer R2407 (Trig view BAL).

The TRIGV+ and TRIGV- signals are fed to D2202 (3-4).

Integrated circuit D2304 serves as an auto level circuit. The following functions are possible.

a. Peak-peak

In this case the amplitude of the trigger signal applied to D2304 (3,7) is measured by peak-peak detectors on D2304 (2,4,6,8). The output current from D2304 (14,15) is dependent on the peak-peak level and is adjustable with the LEVEL control R7012, connected to D2304(1).

b. Triggering

In this case the level range is 16 div. The level is adjustable with R7012 and the current variation on D2304 (14,15) can be varied between +or- 0,6mA.

c. TV triggering

The level control is made ineffective. In TV triggering, the LEVEL must be set to a fixed value. This is done by applying a high level current to pin 1 via diode V2326.

d. Auto

In auto the signal LEVEL ZERO is high and via diode V2325 the output level D2304 (15) is asymmetrical with output level D2304 (14). Thus the maximum signal amplitude is 2 Vp-p.

- an external deflection path, routed via the series feedback circuit V2356 and V2357, the X DEFL+ and X DEFL- signals are fed to the time base unit A2.
- R2416, R2422 and C2350 gives phase correction for the X-Y display.

### 5.3

#### DTB TRIGGER PRE-AMPLIFIER

Trigger possibilities are:

	Signal name	routed to	Selected by: name	routed to	Inverted by: name	routed to
ch.A	TRAD+, TRAD-	D2501(3,4)	AD	D2501(10)	INVAD	D2501(2)
ch.B	TRBD+, TRBD-	D2501(5,6)	BD	D2501(11)	INVBD	D2501(7)
EXTERNAL	EXT+, EXT-	D2502(5,6)	EXTD	D2502(11)	INVAD	D2502(7)

Similar to the main time base triggering, signal splitter D2301 applies the EXT current to the OQ0020.

The LEVEL control R7014 is connected to D2502-1 to obtain a level range of 16 div.

The output of both integrated circuits, pin 13 and 14, are routed via a shunt feedback V2512, V2513, followed by a series feedback circuit V2514, V2516 and provide the DTB trigger signals TRIGD- and TRIGD+. These signals are fed to the time-base unit A4.

## 5.4 PRE-AMPLIFIER CONTROL

The pre-amplifier control converts the data from the I<sup>2</sup>C bus (SDA and SCL), derived from the microcomputer, into the control pulses for the pre-amplifier unit. To eliminate interference the SDA and SCL lines can be switched off via D2601.

This integrated circuit serves as a digital switch, controlled by the VERT IIC line. Logic high connects the outputs D2601(4,14,15) to the input "1" contact (switched on); logic low connects the outputs to the "2" contact (switched off) and gives SDA a logic low level and SCL a logic high level.

When D2601 is switched on, the serial data information is converted into parallel control pulses via D2602 and D2603, provided that D2602 is enabled (D2602-5 is high). The control lines are active when the level of the line is high.

Output Q12-D2602(9) serves as a power up not line for D2603: when the oscilloscope is in the power-up routine, Q12 is high and resets D2603. After the power-up routine, Q12 goes low and enables D2603.

Integrated circuit D2603 relieves the microcomputer of a number of such functions as:

- trigger view
- chop/alt
- trace separation
- trigger select
- time-base select (fed to time base unit A4)

Adaptation of this I.C. to the oscilloscope version is made by the AD0 and AD1 inputs D2603(15,16).

For this oscilloscope, AD0 must be HIGH and AD1 must be LOW.

Timing for alternate and chopped mode is derived by the ALTCLN and CHOPCL pulses.

The chopper oscillator formed by V2611 and V2612 supplies a square wave voltage of 1,5 V<sub>p-p</sub> with a frequency of 1 MHz.

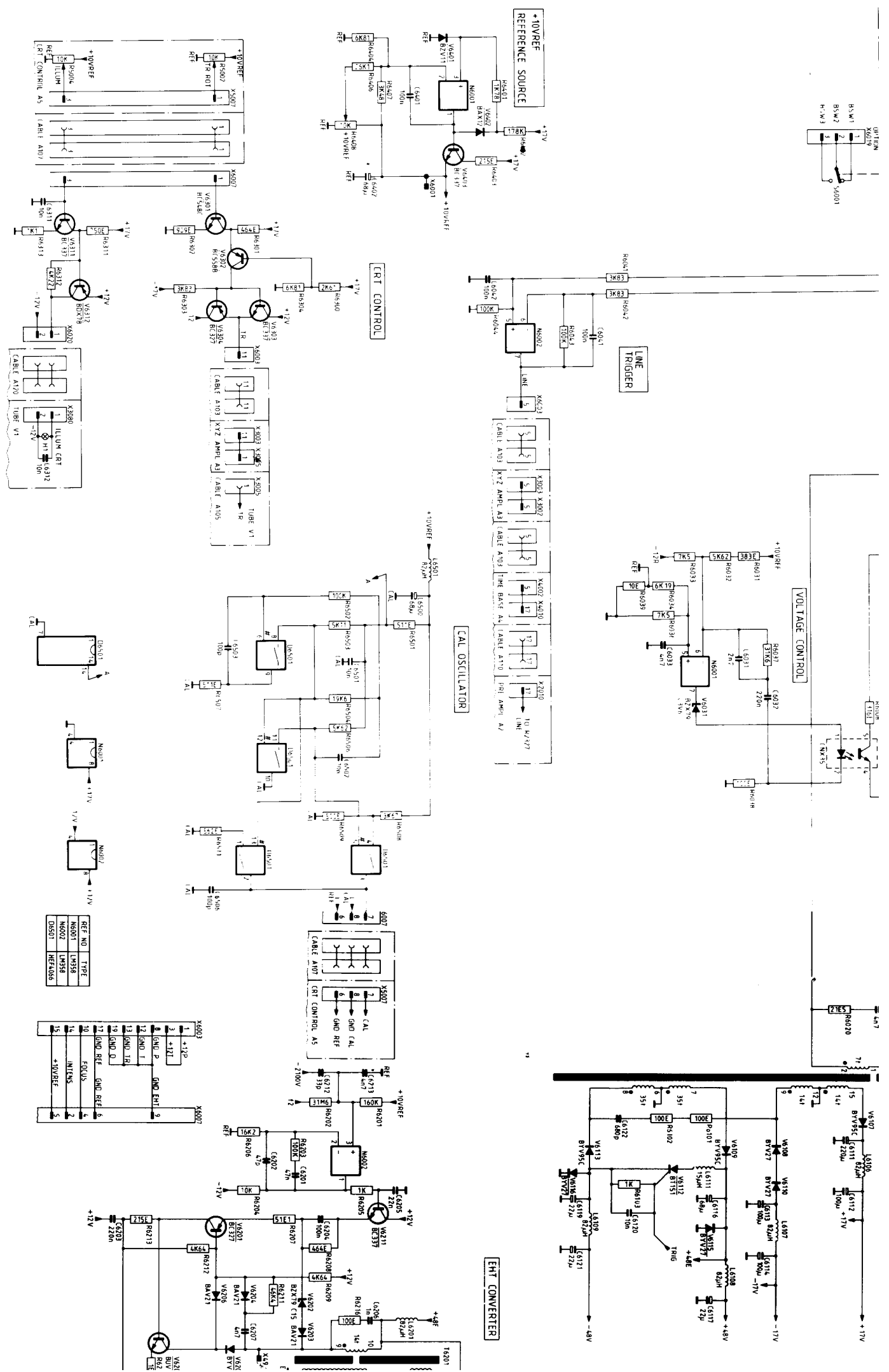
This frequency is defined by two current loops:

- I1 is determined by: V2612(c-e), C2611, R2627 and R2625.
- I2 is determined by: V2611(c-e), C2611, R2628 and R2625.

The duty cycle (I1/I1+I2) is 12% approx.

The square wave on the collector of V2612 serves as a chopper clock pulse for D2603 and gives a 500 kHz display for 2 channels CHOP, 333 kHz display for 3 channels CHOP and 250 kHz for 4 channels CHOP (A-B-TRIG VIEW-ADD).

Note that D2603(8) serves as the chopper switch, which is high when the CHOP softkey is depressed.



REF. NO.	TYPE
NR601	LP356
NR602	LP356
DS601	HE4686

X6003	X6007
1	+12V
2	-12V
3	GND P.
4	GND I.
5	GND D.
6	GND REF.
7	GND REF.
8	FOCUS
9	INTENS.
10	+10V REF.
11	GND I.
12	GND D.
13	GND I.
14	GND D.
15	+10V REF.

Figure 9.5 Circuit diagram of power supply

## 14.5 TROUBLE SHOOTING

### 14.5.1 Introduction

The following information is provided to facilitate trouble shooting. Information contained in other sections of the manual should also be used to locate the defect. An understanding of the circuit is helpful in locating troubles, particularly where integrated circuits are used. Refer to the circuit description for this information.

### 14.5.2 Trouble-shooting techniques

If a fault appears, the following test sequence can be used to find the defective part:

- Check if the settings of the controls of the oscilloscope are correct. Consult the Operating Instructions.
- Check the equipment to which the oscilloscope is connected and the interconnection cables.
- Check if the oscilloscope is well-calibrated. If not, refer to section 13. "Checking and Adjusting".
- Visually check the part of the oscilloscope in which the fault is suspected. In this way, it is possible to find faults such as bad soldering connections, bad interconnection plugs and wires, damaged components or transistors and IC's that are not correctly plugged into their sockets.
- Location of the circuit part in which the fault is suspected: the symptom often indicates this part of the circuit. If the power supply is defective the symptom will appear in several circuit parts.

After having carried out the previous steps, individual components in the suspected circuit parts must be examined:

- Transistors and diodes.

Check the voltage between base and emitter (0,7 V approx. in conductive state) and the voltage between collector and emitter (0,2 V approx. in saturation) with a voltmeter or an oscilloscope. When removed from the p.c.b. it is possible to test the transistor with an ohmmeter since the base/collector junctions can be regarded as diodes. Like a normal diode, the resistance is very high in one direction and low in the other direction. When measuring take care that the current from the ohmmeter does not damage the component under test.

Replace the suspected component by a new one if you are sure that the circuit is not in such condition that the new component will be damaged.

- Integrated circuits.

In circuit, testing can be done with an oscilloscope or voltmeter. A good knowledge of the circuit part under test is essential. Therefore, first read the circuit descriptions in sections 3...10.

- Capacitors.

Leakage can be traced with an ohmmeter adjusted to its highest resistance range. When testing take care of polarity and maximum allowed voltage. An open capacitor can be checked if the response for AC signals is observed. Also a capacitance meter can be used: compare the measured value with the value and tolerance indicated in the parts list

- Resistors.

Can be checked with an ohmmeter after having unsoldered one side of the resistor from the pcb. Compare the measured value with the value and tolerance indicated in the parts list.

- Coils and transformers.

An ohmmeter can be used for tracing an open circuit. Shorted or partially shorted windings can be found by checking the waveform responses when HF signals are passed through the circuit. Also an inductance meter can be used.

- Data latches.

To measure on inputs and outputs of data latches a measuring oscilloscope can be triggered by the clock signal which is connected to the clock input of the data latch.

This measurement can only be made in this way when there is an acceptable repetition time of the clock signal. A too low clock pulse repetition time results in a low intensity of the trace on the measuring oscilloscope screen.

The outputs can easily be checked by a voltmeter or oscilloscope.

### 14.5.3 Power-up routine

Every time the instrument is switched-on the following initialisation program is executed:

- Resetting the IIC-bus.
- Resetting D2603 (OQ 0200)
- Determining the SLAVE-address of D2603.
- Checking if Service routine is required (if yes the program will continue with the service routine).
- Checking the "WATCH-DOG" on A7 (if HIGH, all relevant LCD-segments will be lighting for about 1 sec).
- Eventually initialisation of the IEEE-option.

If during the program-run a circuit is found to be faulty, the program stops. It is recommended to switch-off and after a few seconds switch-on again. This will reset the micro-computer controlled system automatically. If the instrument goes in the same faulty situation again, the following procedure indicates how to handle. If no failure is found, all relevant LCD-segments will be lighting for about one second. After this the normal program is executed.

#### PROCEDURE:

Check the SDA and SCL lines after having switched-on. On the SCL a clock-pulse must be present, while the SDA gives the data-information (looks like a random pulse). If one of these signals is not present, you can localize on what unit the fault exists. This can be done by first unplug connector X1009 or X2001 on resp. A1 and A2. To localize what serial-parallel conversion IC is defective, you can disconnect the solder joint in the SDA and SCL print track lead to that IC. The following IC's can be disconnected in this way: D1001, D1101, D2602, D2603, D4001, D4002, D4401.

When the instrument restarts every time again, this means the WATCHDOG is initiating the main program (see also section 10.1.4), the watchdog can be disabled. This can be done by means of the solder joint jumper on the rear of the front unit p.c.b. (near X7001).

When disabled, pin 13 of the microcomputer is set to a low level.



14.5.4 Trouble-shooting the power supply

To determine whether a certain fault condition is initiated by the power supply itself or by the connected oscilloscope circuits, a dummy load is listed in the table below. The table gives also an example of the resistor types that can be used to compose the dummy load. These resistors can be ordered at Concern Service.

Supply voltage	Output current	Dummy resistance and their service ordering numbers
+ 5 V	2,4 A	2,1E-12W: 3 x 8E (4822 112 21052) and 10E (4822 112 21054) in parallel.
- 6,4 V	930 mA	6,9E-6W: 8,2E (4822 112 41052) and 47E (4822 110 23072) in parallel.
+ 12 V	720 mA	17,2E-8,7W: 33E (4822 112 41067) and 39E (4822 112 43069) in parallel.
- 12 V	500 mA	24,7E-6W: 39E (4822 112 41069) and 68E (4822 112 41067) in parallel.
+ 17 V	340 mA	51E-6W: 1E (4822 110 23027) in serial with 2 x 100 E(4822 112 41081) in parallel.
- 17 V	100 mA	171E-1,7W: 270E (4822 110 43092) and 470E (4822 110 43098) in parallel.
+ 48 V	140 mA	341E-7W: 330E (4822 112 41094) in serial with 12E(4822 110 23056).
- 48 V	40 mA	1k22-2W: 2k2 (4822 110 23116) and 2k7 (4822 110 23118) in parallel.

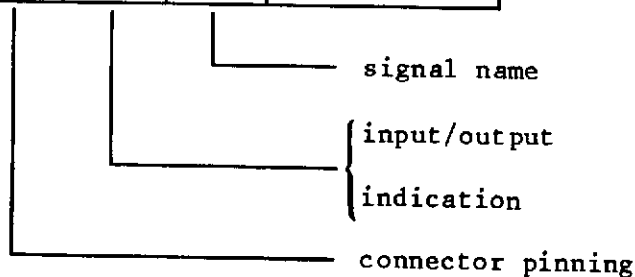
14.5.5 P.c.b. interconnections

Figure 14.5 gives a survey of all interconnections between the p.b.c.'s and to the CRT. Also the interconnections between the connectors on board level is given in this diagram.

An explanation of the connector indication is given below:

1	*		
2		o	
3	x		
4			

- \*: Input signal for the related p.c.b.
- o: Output signal for the related p.c.b.
- x: Interconnection between two or more sockets of the p.c.b. Not used on the related p.c.b.



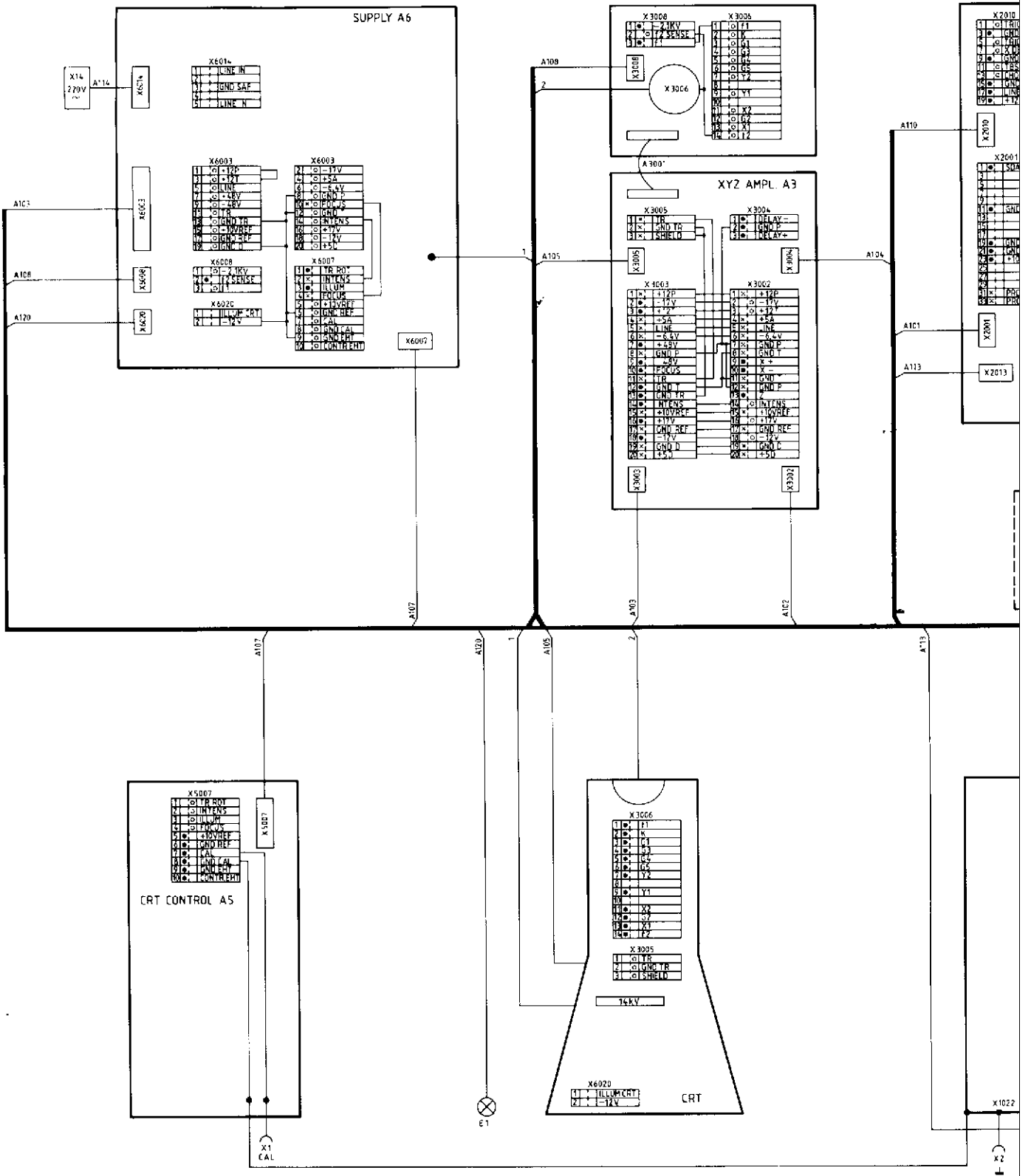


Figure 14.5 P.c.b. interconnections

